

1

2

3

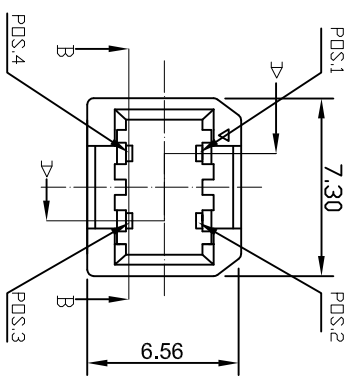
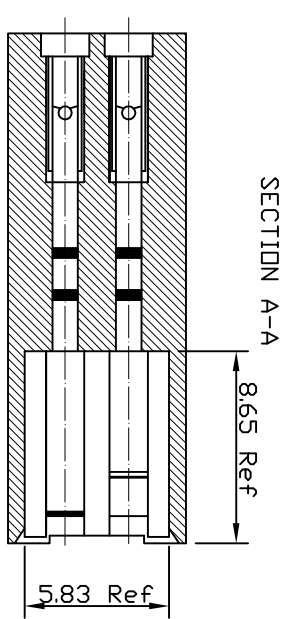
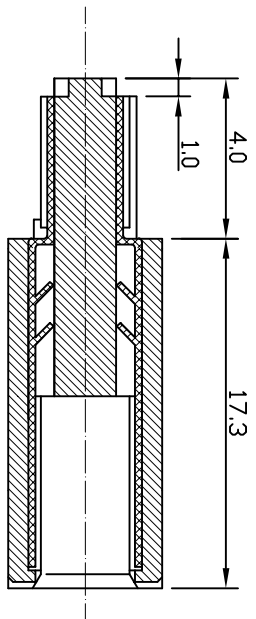
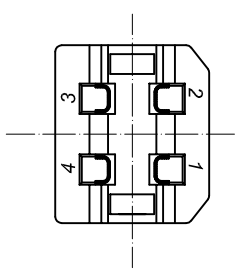
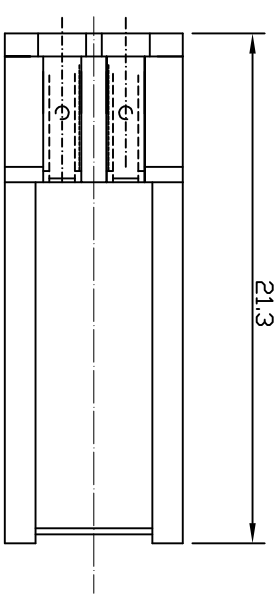
4

5

6

7

⑤ USB2.0 COMPLIANT



NOTE:
 1. MATERIALS:
 INSULATION: PBT 30%GLASS FILLED UL94V-0
 COLOR:WHITE
 CONTACT: COPPER ALLOY PREPLATEIVE GOLD FLASH

ROHS compliant

Scale	1:1
TOLERANCE	
.XX	±0.10
.X	±0.20
X.	±0.50
XX.	±1
DIM	TOL
Angle	TOL

⑥	Update	27.08.2013	Winnie	Drawn	20.10.2004	Hellwing
④	Add assembly instructions	11.06.2012	Lucas	Approved	27.08.2013	Winnie
③	Add application cable OD.	13.03.2012	Lucas			
②	Update	14.07.2009	Rale			
①	Drawn	20.10.2004	Hellwig			

Customer-No.	
ASSMANN WSW-No.	A-USBPB-N
Drawing-No.	ASS 1518C CO
Replace	rev05
Sheet	1 / 4

1

2

3

4

5

6

7

H

G

F

E

D

C

B

A

1

2

3

4

5

6

7

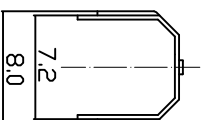
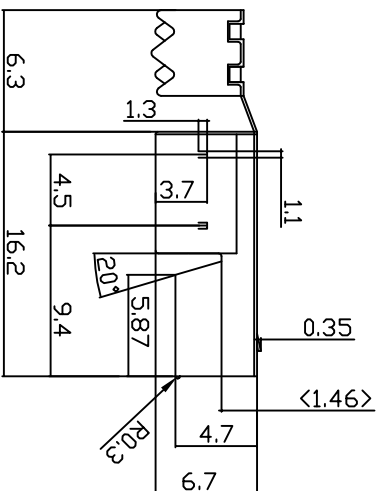
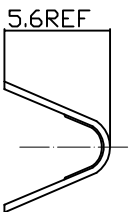
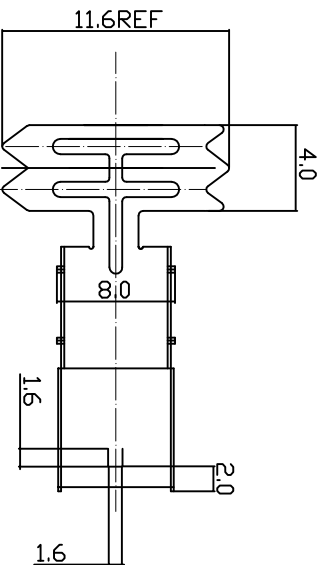
A

A

NOTE:
 1.0.MATERIALS:
 1.1.COLD ROLL STEEL, t=0.35mm
 2.0.FINISHES:
 2.1.5.0um Min.BRIGHT TIN/LEAD(9:1) OVER 5.0um Min.COPPER
 2.2.3.0um-5.0um NICKEL OVER 5.0um Min.COPPER
 2.3.1.5u" Min.Au+80~150U".NICKEL+100U"Min.COPPER
 2.4.3.0um-5.0um NICKEL OVER 5.0um Min.COPPER(SPECIAL PLATED)

③ 3.0.APPLICATION CABLE SPEC:

UL CSA Type	AWG Signal wires Power wires	Jackel OD.	Cable length(max.)
UL CM	28AWG x 11.P., 28AWG x 2Cores	4.2mm	0.81m
UL FT4	28AWG x 11.P., 26AWG x 2Cores	4.4mm	1.31m
	28AWG x 11.P., 24AWG x 2Cores	4.7mm	2.08m
	28AWG x 11.P., 22AWG x 2Cores	5.0mm	3.33m
	28AWG x 11.P., 20AWG x 2Cores	5.0mm	5.00m



B

B

C

C

D

D

E

E

F

F

G

G

H

H

ROHS compliant

Scale	1:1
TOLERANCE	
.XX	±0.10
.X	±0.20
X.	±0.50
XX.	±1
DIM	TOL
Angle	TOL

Id.	Modification	Date	Name
⑥	Update	27.08.2013	Winnie
④	Add assembly instructions	11.06.2012	Lucas
③	Add application cable OD.	13.03.2012	Lucas
②	Update	14.07.2009	Rale
①	Drawn	20.10.2004	Helwig

Customer-No.

Date

Name

ASSMANN WSW-No.

Drawn

Helwig

A-USBPB-N

Approved

Winnie

Drawing-No.

ASS 1518C CO

rev05

ASSMANN WSW components

Replace

Sheet 2 / 4

1

2

3

4

5

6

7

A	1	2	3	4	5	6	7																																																																						
B	<p>NOTE: 1.0.MATERIALS: 1.1.COLD ROLL STEEL. t=0.35mm 2.0.FINISHES: 2.1.5.0um Min.BRIGHT TIN/LEAD(9:1) OVER 5.0um Min.COPPER 2.2.3.0um-5.0um NICKEL OVER 5.0um Min.COPPER 2.3.1.5u" Min.Au+80~150U".NICKEL+100U"Min.COPPER 2.4.3.0um-5.0um NICKEL OVER 5.0um Min.COPPER(SPECIAL PLATED) 3.0.OTHER:</p>																																																																												
C																																																																													
D																																																																													
E																																																																													
F																																																																													
G	<table border="1"> <tr> <td>Scale</td> <td>1:1</td> <td></td> <td></td> <td></td> <td></td> <td></td> <td></td> </tr> <tr> <td>TOLERANCE</td> <td></td> <td></td> <td></td> <td></td> <td></td> <td></td> <td></td> </tr> <tr> <td>.XX</td> <td>±0.10</td> <td>⑥</td> <td>Update</td> <td>27.08.2013</td> <td>Winnie</td> <td>Drawn</td> <td>20.10.2004</td> <td>Hellwing</td> </tr> <tr> <td>.X</td> <td>±0.20</td> <td>④</td> <td>Add assembly instructions</td> <td>11.06.2012</td> <td>Lucas</td> <td>Approved</td> <td>27.08.2013</td> <td>Winnie</td> </tr> <tr> <td>X.</td> <td>±0.50</td> <td>③</td> <td>Add application cable OD.</td> <td>13.03.2012</td> <td>Lucas</td> <td></td> <td></td> <td></td> </tr> <tr> <td>XX.</td> <td>±1</td> <td>②</td> <td>Update</td> <td>14.07.2009</td> <td>Rate</td> <td></td> <td></td> <td></td> </tr> <tr> <td>DIM</td> <td>TOL</td> <td>①</td> <td>Drawn</td> <td>20.10.2004</td> <td>Hellwig</td> <td></td> <td></td> <td></td> </tr> <tr> <td>Angle</td> <td>TOL</td> <td></td> <td>Modification</td> <td></td> <td></td> <td></td> <td></td> <td></td> </tr> </table>							Scale	1:1							TOLERANCE								.XX	±0.10	⑥	Update	27.08.2013	Winnie	Drawn	20.10.2004	Hellwing	.X	±0.20	④	Add assembly instructions	11.06.2012	Lucas	Approved	27.08.2013	Winnie	X.	±0.50	③	Add application cable OD.	13.03.2012	Lucas				XX.	±1	②	Update	14.07.2009	Rate				DIM	TOL	①	Drawn	20.10.2004	Hellwig				Angle	TOL		Modification					
Scale	1:1																																																																												
TOLERANCE																																																																													
.XX	±0.10	⑥	Update	27.08.2013	Winnie	Drawn	20.10.2004	Hellwing																																																																					
.X	±0.20	④	Add assembly instructions	11.06.2012	Lucas	Approved	27.08.2013	Winnie																																																																					
X.	±0.50	③	Add application cable OD.	13.03.2012	Lucas																																																																								
XX.	±1	②	Update	14.07.2009	Rate																																																																								
DIM	TOL	①	Drawn	20.10.2004	Hellwig																																																																								
Angle	TOL		Modification																																																																										
H	<p>ROHS compliant</p>																																																																												
<table border="1"> <tr> <td>Customer-No.</td> <td colspan="7"></td> </tr> <tr> <td>ASSMANN WSW-No.</td> <td colspan="7">A-USBPB-N</td> </tr> <tr> <td>Drawing-No.</td> <td colspan="7">ASS 1518C CO</td> </tr> <tr> <td>Replace</td> <td colspan="6"></td> <td>rev05</td> </tr> <tr> <td></td> <td colspan="6"></td> <td>Sheet 3 / 4</td> </tr> </table>								Customer-No.								ASSMANN WSW-No.	A-USBPB-N							Drawing-No.	ASS 1518C CO							Replace							rev05								Sheet 3 / 4																														
Customer-No.																																																																													
ASSMANN WSW-No.	A-USBPB-N																																																																												
Drawing-No.	ASS 1518C CO																																																																												
Replace							rev05																																																																						
							Sheet 3 / 4																																																																						

ROHS compliant



1

2

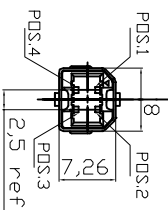
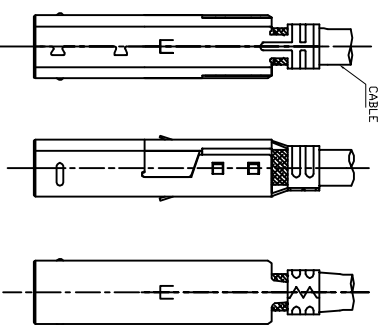
3

4

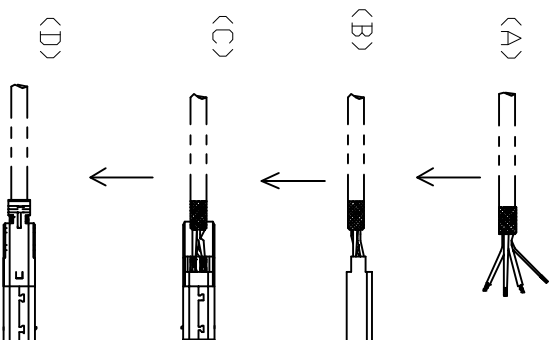
5

6

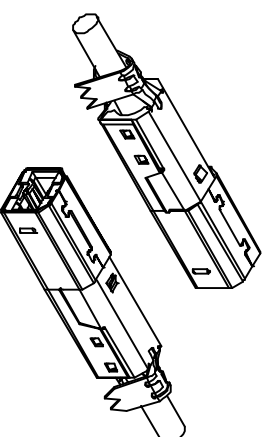
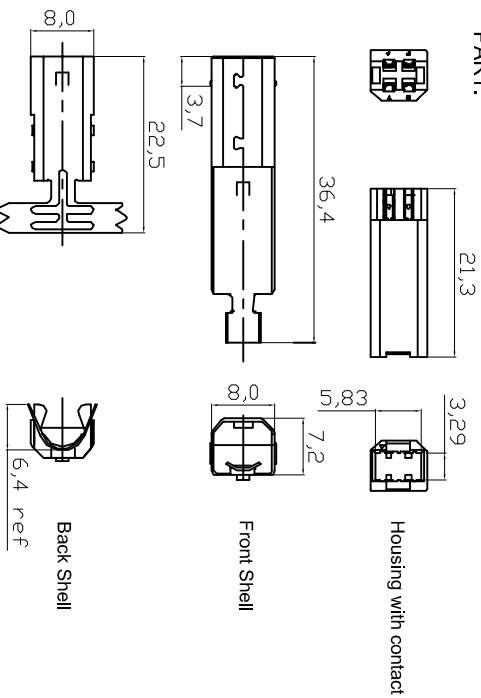
7



ASSEMBLY PROCESS



PART:



NOTES:
 Rating:
 Voltage: 30VAC (R.M.S)
 Current: 1.5 AMPERE MINIMUM PER CONTACT AT 30°C T-RISE
 TEMPERATURE: -55°C TO +85°C UNLESS LIMITED BY CABLE OR
 OVERMOLD (40°C TO +60°C STORAGE; 0°C TO +40 °C OPERATING)
 ELECTRIC RESISTANCE: 30 MILLIOHMS MAXIMUM INITIAL
 INSULATION RESISTANCE: 1000 MEGOHMS MINIMUM
 DIELECTRIC WITHSTANDING VOLTAGE: 500VAC AT SEA LEVEL
 CAPACITANCE: 2 PICOFARADS MAXIMUM AT 1KHZ
 MODIFICATION SEAM1 DIRECTION CIRCUMGRATE: 180 DEGREE

A

A

B

B

C

C

D

D

E

E

F

F

G

G

H

H

ROHS compliant

1

2

3

4

5

6

7

Scale	1:1							
TOLERANCE								
.XX	±0.05	③	Update	27.08.2013	Winnie	Drawn	20.10.2004	Hellwig
.X	±0.10	④	Add assembly instructions	11.06.2012	Lucas	Approved	27.08.2013	Winnie
X.	±0.15	③	Add application cable OD.	13.03.2012	Lucas			
DIM	TOL	②	Update	14.07.2009	Rate			
X°	±3°							
X°	±1.0°	①	Drawn	20.10.2004	Hellwig			
Angle	TOL	Id.	Modification					

Customer-No.

ASSMANN WSW-No.

A-USBPB-N

Drawing-No.

ASS 1518C CO rev05

Replace

Sheet
4 / 4

ASSMANN
 WSW components