

RJ45, Single Port, Tap Up, Thru-Hole, 100 Base-T with Single USB

ARJE-0032

RoHS/RoHS II Compliant



16.20 x 21.05 x 29.11mm

FEATURES:

- Compliant with IEEE802.3 standard
- 350uH minimum OCL with 8mA bias current
- High performance for maximum EMI suppression
- High reliability – 750 mating/unmating cycles
- RJ45/Single USB stacked design to save PCB space

APPLICATIONS:

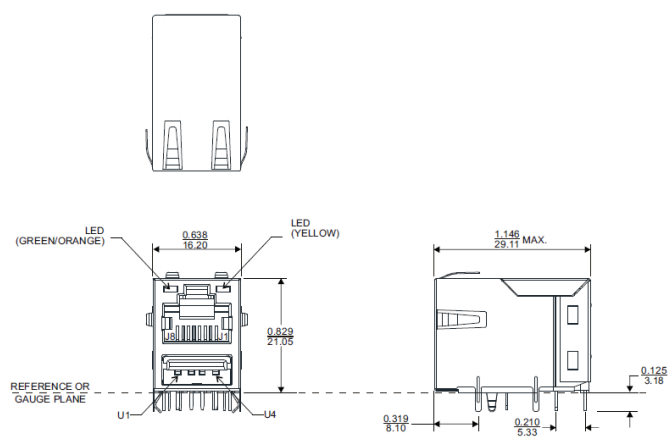
- Designed for most leading PHY IC manufacturers such as Broadcom, Marvell, Microsemi.
- Supports 10/100 Base-T applications
- Provides signal conditioning, EMI suppression and signal isolation.

STANDARD SPECIFICATIONS

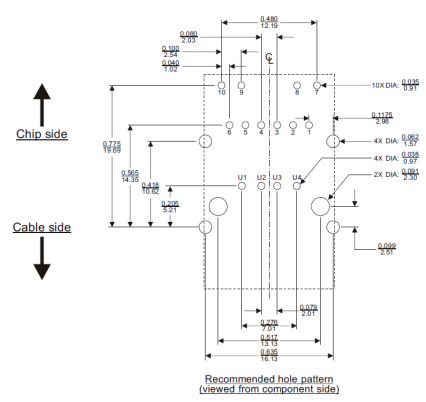
Operating temperature range: 40°C to +85°C Storage temperature range: -40°C to +85°C

Parameters	Minimum	Typical	Maximum	Units	Notes
Turn Ratio (±3%)	1CT:1CT				
Inductance	350			uH	100kHz, 0.1 Vrms, 8mADC
Insertion Loss			-1.0	dB	0.1-100MHz
Return Loss	-16.0			dB	1-30MHz
	-14.5				30-60MHz
	-12.0				80MHz
Crosstalk	-30.0			dB	0.1-100MHz
CMRR	-30.0			dB	0.1-100MHz
Hipot	1500Vrms				Pri to Sec

MECHANICAL DIMENSIONS



Recommended Land Pattern



Dimensions: inch/mm (Unless otherwise specified, all tolerances are ±0.01/0.25)



Visit www.abracon.com for Terms & Conditions of Sale
 30332 Esperanza, Rancho Santa Margarita, California 92688
 tel 949-546-8000 | fax 949-546-8001 | www.abracon.com

Revised: 11.04.13

RJ45, Single Port, Tap Up, Thru-Hole, 100 Base-T with Single USB

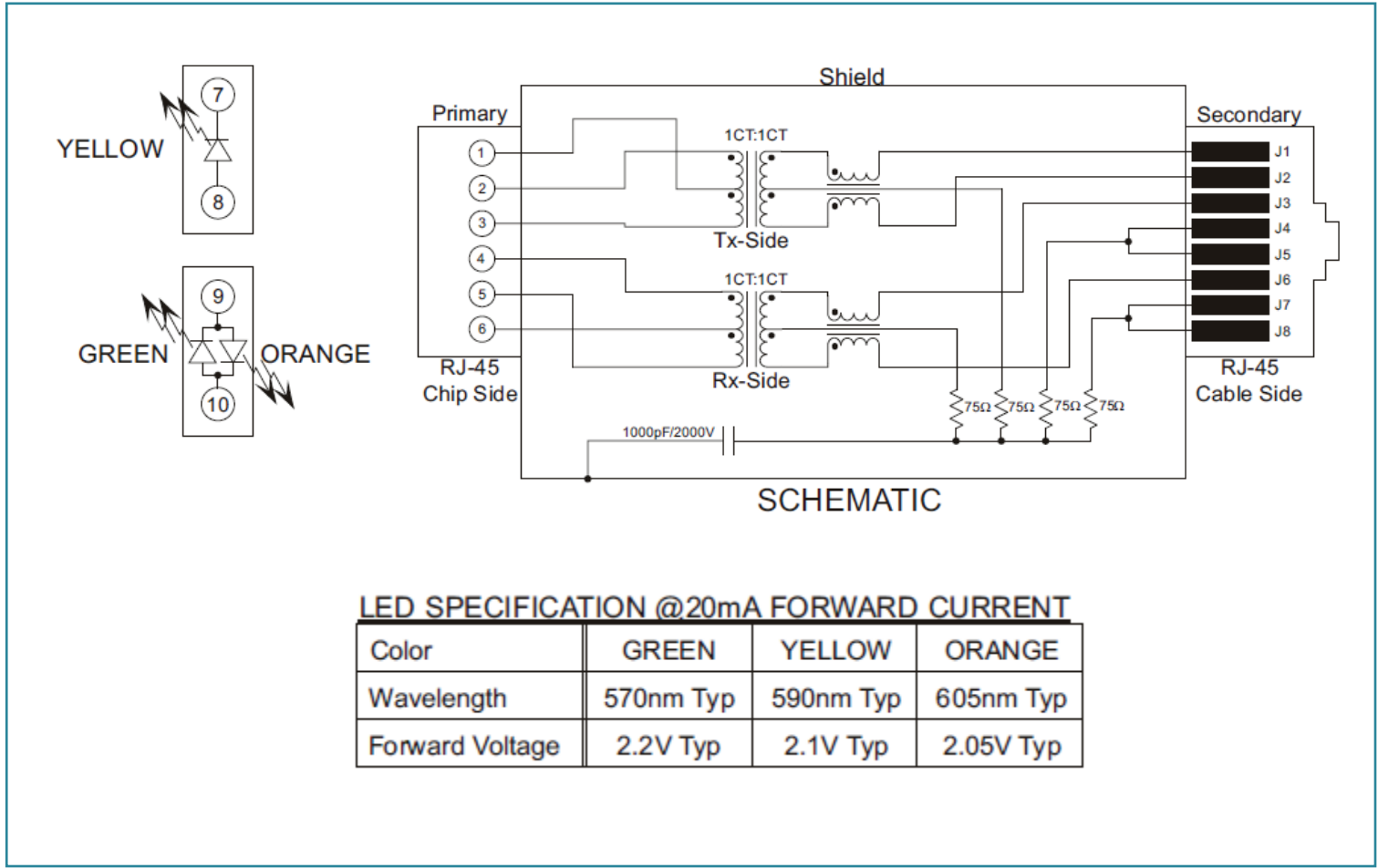
ARJE-0032

RoHS/RoHS II Compliant



16.20 x 21.05 x 29.11mm

SCHEMATICS



LED SPECIFICATION @20mA FORWARD CURRENT

Color	GREEN	YELLOW	ORANGE
Wavelength	570nm Typ	590nm Typ	605nm Typ
Forward Voltage	2.2V Typ	2.1V Typ	2.05V Typ

Packing: 48 pcs/tray

ATTENTION: Abracon Corporation's products are COTS – Commercial-Off-The-Shelf products; suitable for Commercial, Industrial and, where designated, Automotive Applications. Abracon's products are not specifically designed for Military, Aviation, Aerospace, Life-dependant Medical applications or any application requiring high reliability where component failure could result in loss of life and/or property. For applications requiring high reliability and/or presenting an extreme operating environment, written consent and authorization from Abracon Corporation is required. Please contact Abracon Corporation for more information.



Visit www.abracon.com for Terms & Conditions of Sale
 30332 Esperanza, Rancho Santa Margarita, California 92688
 tel 949-546-8000 | fax 949-546-8001 | www.abracon.com

Revised: 11.04.13