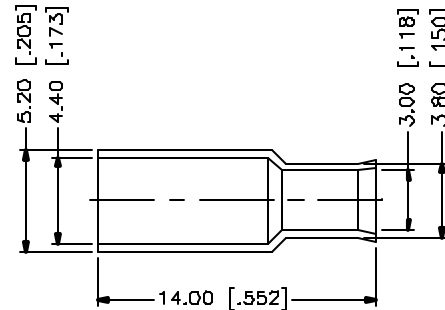
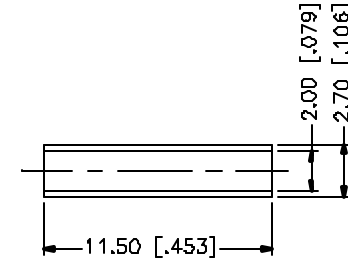
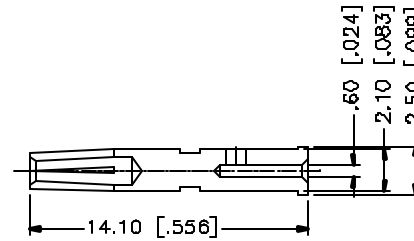
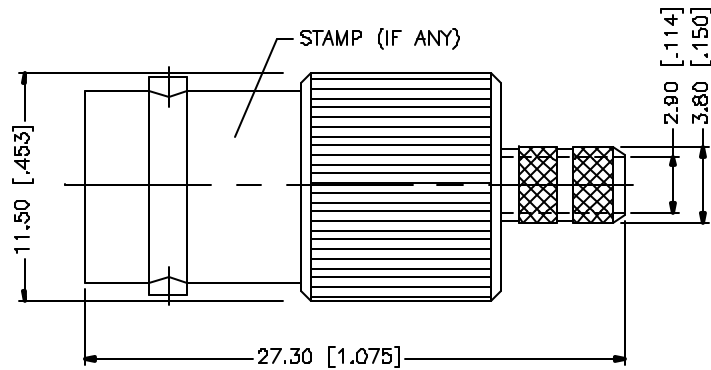
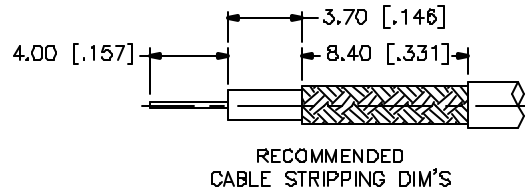


REV.	DATE	DESCRIPTION
A	03/31/05	CHANGE TO .60 [.024] CENTER CONTACT



CRIMP NOTES:

1. CRIMPED FERRULE  
HEX CRIMP SIZE .178"
2. CRIMPED CONTACT PIN,  
HEX CRIMP SIZE .068"

REV.	DATE	DESCRIPTION	
A	03/31/05	CHANGE TO .60 [.024] CENTER CONTACT	
8			
7			
6			
5	FERRULE	BRASS NICKEL 1	
4	SLEEVE	DELFIN NATURAL 1	
3	CONTACT PIN	PHOS. BRONZE GOLD 1	
2	INSULATOR	DELFIN NATURAL 1	
1	BODY	BRASS NICKEL 1	
	DESCRIPTION	MATERIAL FINISH QTY	
UNLESS OTHERWISE SPECIFIED DIMENSIONS ARE IN MILLIMETERS DIMENSIONS IN [ ] ARE IN INCHES AND FOR CUSTOMER REFERENCE ONLY.			
UNLESS OTHERWISE SPECIFIED TOLERANCES FOR MILLIMETERS ARE: 0.5 - 8mm ± 0.20mm 8 - 30mm ± 0.40mm 30 - 120mm ± 0.50mm			
UNLESS OTHERWISE SPECIFIED TOLERANCES FOR INCHES ARE: .020 - .315 = ± 0.007" .315 - 1.180 = ± 0.015" 1.180 - 4.724 = ± 0.020"			
DO NOT SCALE DRAWING			
APPROVALS		DATE	
DRAWN G.R.S.		03/31/05	
CHECKED			
ISSUED			
SHEET 1 OF 1			
CAD FILE			
C:/112/112181-10.DWG			
PART DESCRIPTION			
BNC CRIMP JACK (.60 [.024] I.D CONTACT)			
PART NO.			
112161-10			
DWG. NO.	112161-10.DWG	REV. A	SIZE A
SCALE	NA		

**Amphenol Connex**