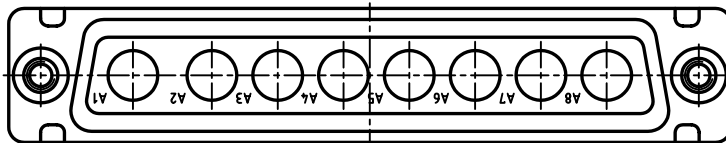
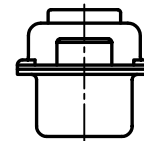
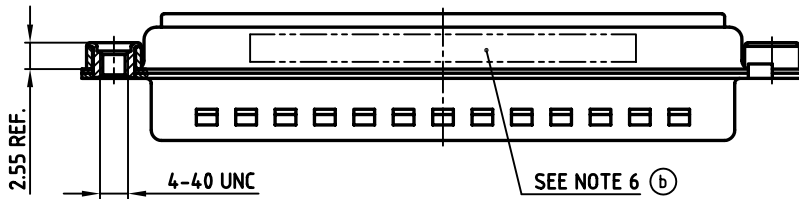
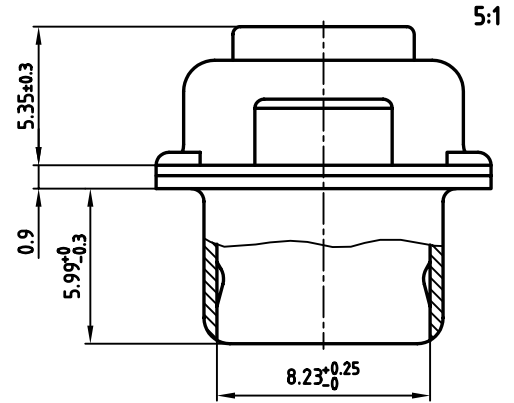
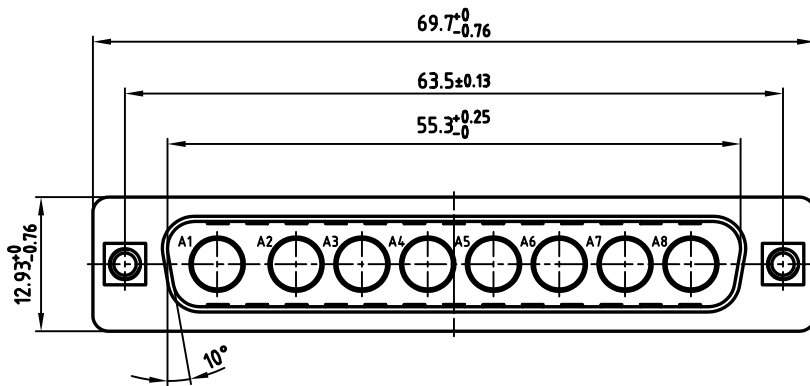


used for: D-SUB COMBINATION



(b) NOTES:

1. METALSHELLS: STEEL; min. 315µm TIN over 40-80µm NICKEL
2. INSULATORS: PBT GF UL 94 V-0, GREEN
3. THREADED INSERT: COPPER ALLOY; min. 200µm TIN over 80µm NICKEL
4. COLLAR: COPPER ALLOY; min. 200µm TIN over 80µm NICKEL
5. MAXIMUM TORQUE VALUE FOR THREAD: 6 in.LB

(b) 6. CONNECTOR IS PART MARKED: 3008W8PXX99A30X CONEC ABC

Directive 2002/95/EC
„RoHS“
Compliant

THIS DRAWING MAY NOT BE COPIED OR REPRODUCED IN ANY WAY, AND MAY NOT BE PASSED ON TO A THIRD PARTY, WITHOUT WRITTEN PERMISSION. OWNERSHIP AND COPYRIGHT OF CONEC GmbH DO NOT ALTER CAD DRAWING BY HAND

rev.	description	date	name
3 x b	Ä 2750	16.07.2007	Lehmen
a	Origin		

2000	date	name
drawn	10.10.	Parei
appd.	10.10.	Resonnek
norm		
d-old		

tolerance		scale:	2:1 (5:1)
		material:	SEE NOTES
		title:	D-SUB COMBINATION MALE 8W8P with threaded insert
		dwg no:	AutoCAD 2000
			DIN-A
			3
			sh: 1/1
		part no:	3008W8PXX99A30X