

- NOTE 1 . ALL LEAD CO-PLANARITY SHALL BE 0.08mm MAX
- 2 CONTACT PLATING SPECIFICATIONS  
 CONTACT AREA : GOLD 0.30 μm MIN  
 SMT LEAD : GOLD 0.01 μm MIN  
 UNDER PLATING : NICKEL 1 μm MIN  
 ( SURFACE : SEALING )
- 3 HRS MARK AND CAV No. ARE INDICATED IN APPROX POSITION SHOWN.
- 4 PROHIBITED AREA OF PATTERN WIRING AND SOLDER.  
 (FOR EACH AREA, THE WIRING THAT TOUCHES ON THE SOLDER CAN BE ATTACHED.  
 THEN COVER WITH A FILM TO KEEP SOLDER OUT.)

REFLOW METHOD:IR REFLOW  
 NUMBER OF REFLOW CYCLES:2 CYCLES MAX.

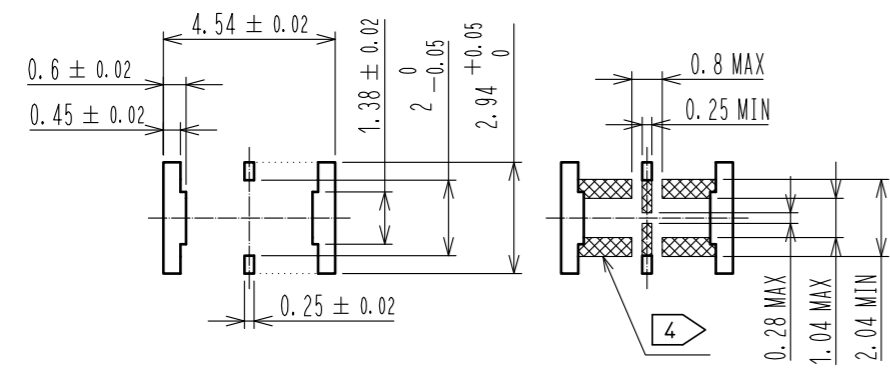
1)REFLOW TIME  
 DURATION ABOVE 220°C, 60 SEC MAX.  
 (PEAK TEMPERATURE:250°C MAX)

2)PRE-HEAT TIME  
 PRE-HEAT TEMPERATURE(MIN):150°C  
 PRE-HEAT TEMPERATURE(MAX):180°C  
 PRE-HEAT TIME:90-120 SEC.

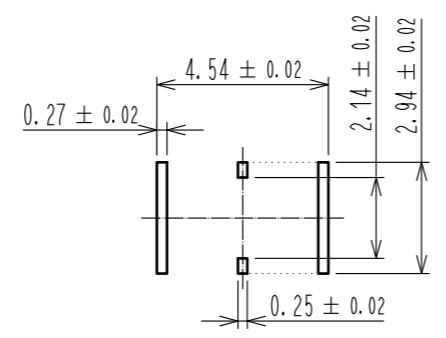
5 THIS TEMPERATURE PROFILE IS PER THE CONDITIONS SHOWN ABOVE.  
 ADDITIONAL FACTORS, SUCH AS SOLDER PASTE TYPE, PCB SIZE AND  
 OTHER MOUNTED COMPONENTS COULD AFFECT THE PROFILE. THEREFORE,  
 A THOROUGH EVALUATION OF MOUNTING COONDITION IS REQUIRED  
 PRIOR TO PRODUCTION. TEMPERATURE IS MEASURED AT CONTACT LEAD.

◆RECOMMENDED PCB LAYOUT(5:1)

◆RECOMMENDED METAL MASK DIMENSIONS(5:1)



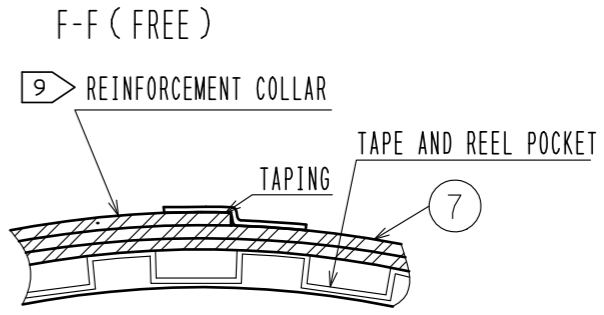
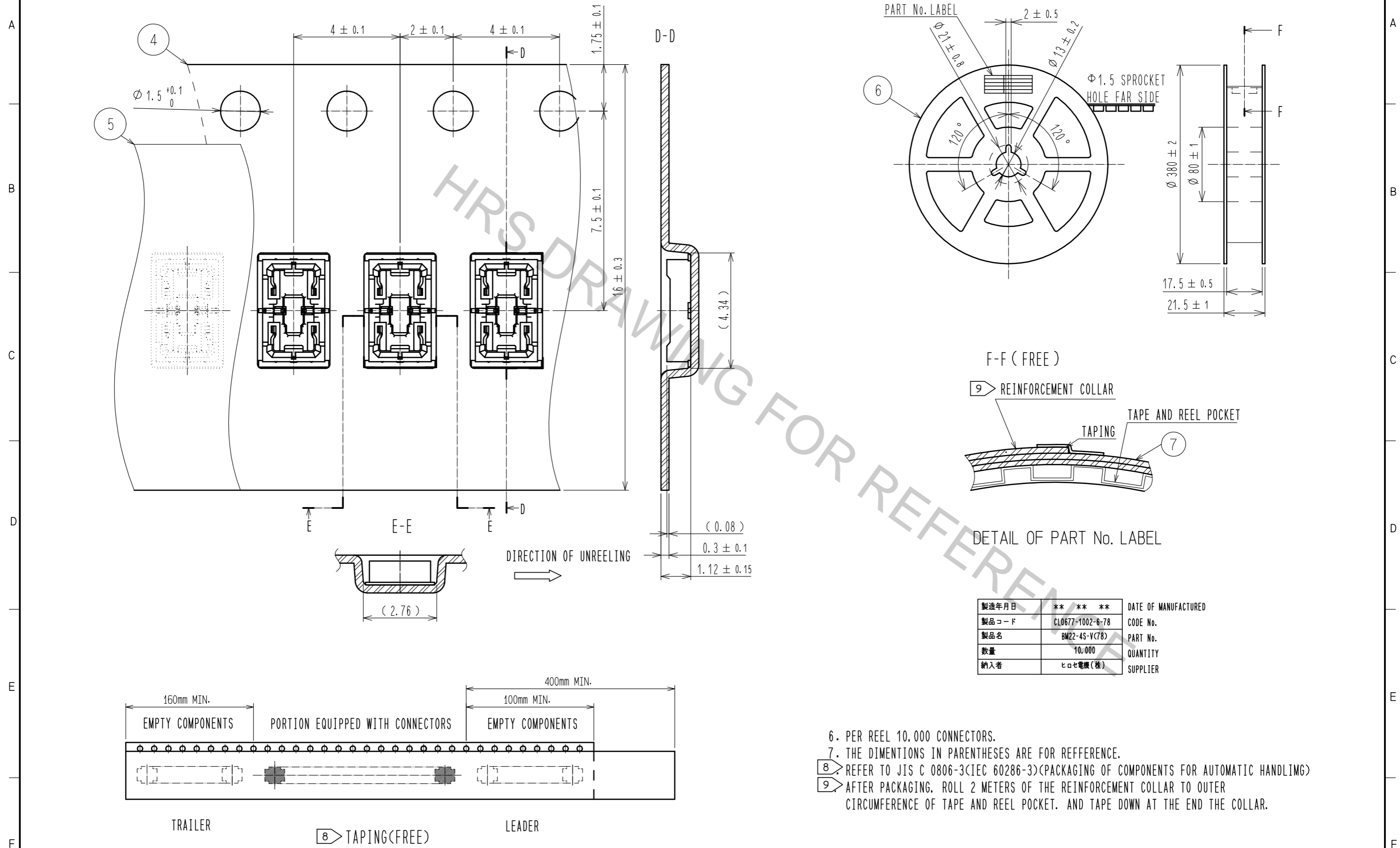
METAL MASK THICKNESS : 100 μm



4	PS	CLEAR (EMBOSSED CARRIER TAPE)	7	PS	CLEAR (REINFORCEMENT COLLAR)		
3	COPPER ALLOY	2	6	PS	BLACK (PLASTIC REEL)		
2	COPPER ALLOY	2	5	POLYESTER	CLEAR (COVER TAPE)		
1	LCP	UL94 V-0, BLACK					
NO.	MATERIAL	FINISH . REMARKS	NO.	MATERIAL	FINISH . REMARKS		
UNITS mm		SCALE 10 : 1	COUNT 1	DESCRIPTION OF REVISIONS DIS-H-0000051	DESIGNED NY. YAMASHIRO	CHECKED TS. MIYAZAKI	DATE 15. 01. 27
<b>HRS</b> HIROSE ELECTRIC CO., LTD.		APPROVED : KH. IKEDA	12. 11. 30	DRAWING NO. EDC-343770-78-78			
		CHECKED : WR. FUKUCHI	12. 11. 30	PART NO. BM22-4S-V(78)			
		DESIGNED : YH. HASEGAWA	12. 11. 30	CODE NO. CL677-1002-6-78			
		DRAWN : YH. HASEGAWA	12. 11. 30	1/3			

EMBOSSED CARRIER TAPE PACKAGING (FREE)

STYLE AND DIMENTION OF REEL (FREE)



DETAIL OF PART No. LABEL

製造年月日	** ** *	DATE OF MANUFACTURED
製品コード	CL0677-1002-6-78	CODE No.
製品名	BM22-4S-V(78)	PART No.
数量	10,000	QUANTITY
納入者	ヒロセ電機(株)	SUPPLIER

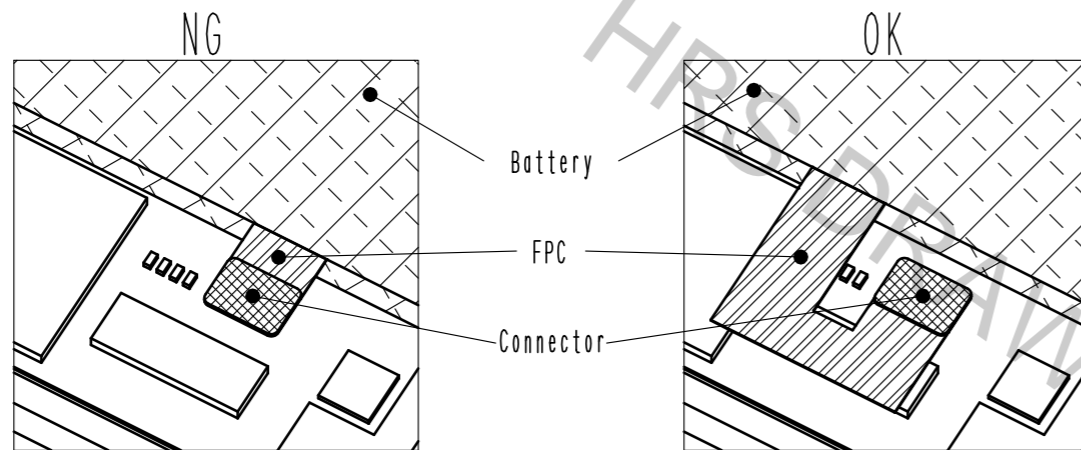
- 6. PER REEL 10,000 CONNECTORS.
- 7. THE DIMENTION IN PARENTHES ARE FOR REFERENCE.
- 8. REFER TO JIS C 0806-3(IEC 60286-3)(PACKAGING OF COMPONENTS FOR AUTOMATIC HANDLING)
- 9. AFTER PACKAGING, ROLL 2 METERS OF THE REINFORCEMENT COLLAR TO OUTER CIRCUMFERENCE OF TAPE AND REEL POCKET. AND TAPE DOWN AT THE END THE COLLAR.

<b>HRS</b>	DRAWING NO.	EDC-343770-78-78
	PART NO.	BM22-4S-V(78)
	CODE NO.	CL677-1002-6-78
		5/2/3

How to draw the FPC

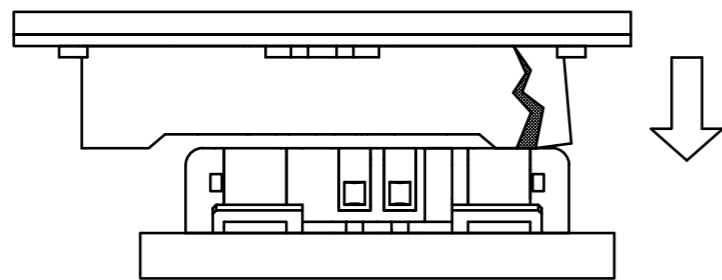
BM22 series connector is intended to carry 3A to 4A electrical current for battery application. FPC may have less flexibility than usual, since the copper foil becomes wider and thicker to carry current of 3A.

Please design the FPC to have a flexibility to absorb the displacement\* of the connector case by fixing PCB and battery.

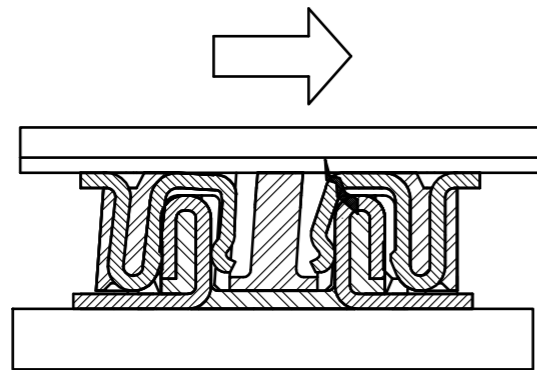


\*Possible problems caused by connector mating in incorrect positioning. Mating the connector in incorrect positioning could lose the function of the connector.

① Insulator could be broken.

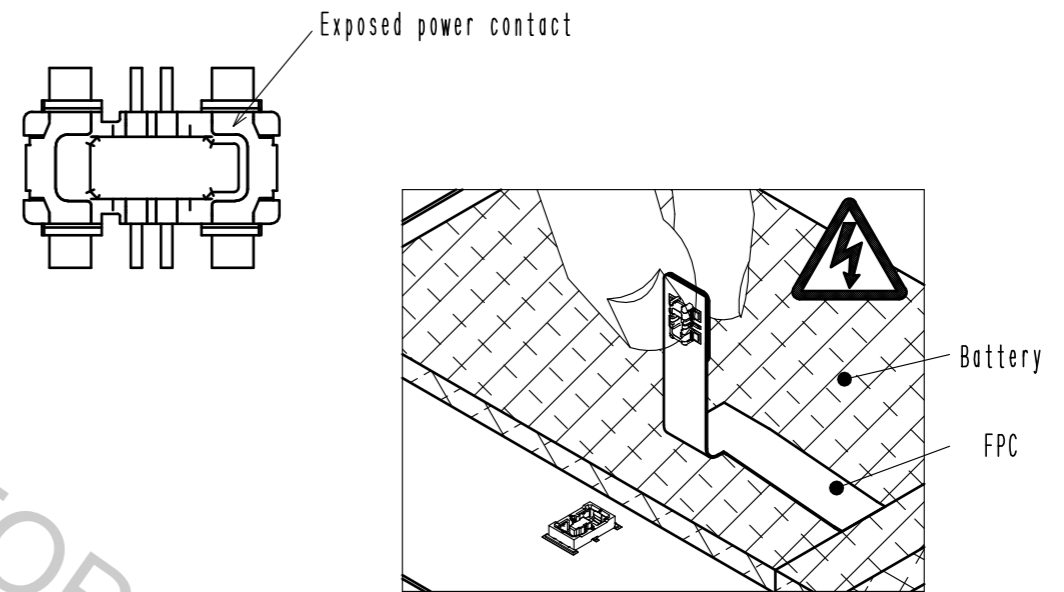


② It could apply excessive mechanical stress to single side of the contact.



Electric shock hazard

Since power contact of header side is exposed, the battery may short out if you touch the contact with finger during mating operation. To avoid this accident, mounting a header on main PWB and mounting a receptacle on battery side is recommended.



<b>HRS</b>	DRAWING NO.	EDC-343770-78-78	3/3
	PART NO.	BM22-4S-V(78)	
	CODE NO.	CL677-1002-6-78	