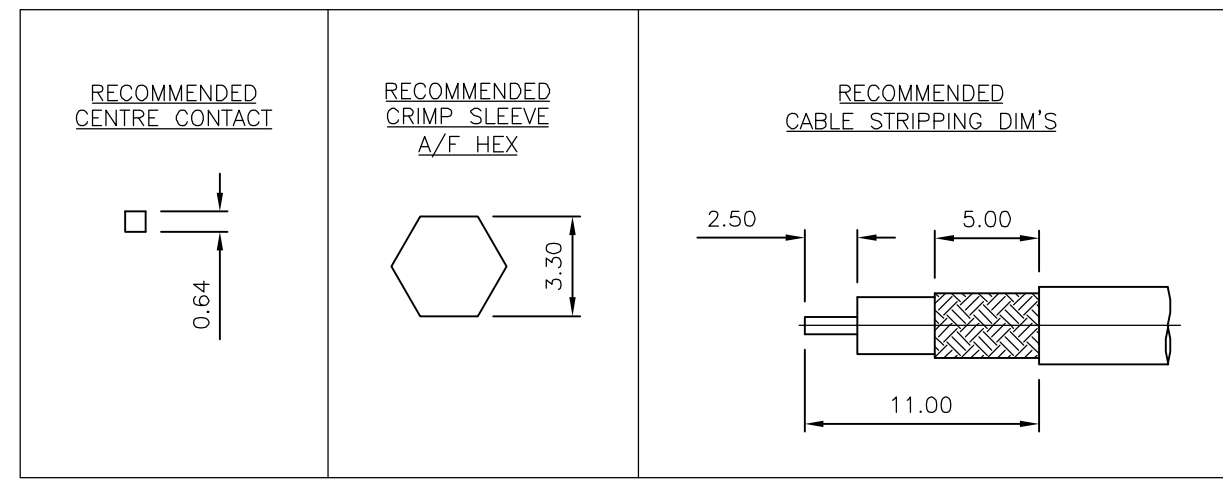
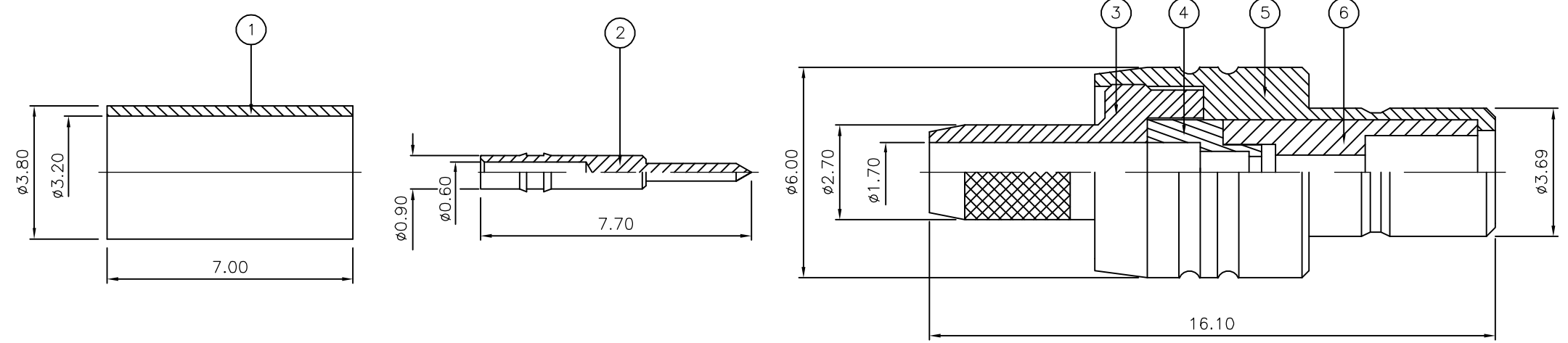


THIS DRAWING IS UNPUBLISHED. RELEASED FOR PUBLICATION JAN ,2006.
 © COPYRIGHT 2006 BY TYCO ELECTRONICS CORPORATION. ALL RIGHTS RESERVED.

LOC	DIST	REVISIONS					
E	B	P	LTR	DESCRIPTION	DATE	DWN	APVD
		C		ECR-05-017969	10JAN06	JMS	FWK

- NOTES:
- ① PACK IN ACCORDANCE WITH AMP SPEC 107-3275
 - ② 100 TRAY PACK IN ACCORDANCE WITH AMP SPEC 107-3275
 - ③ Au PLATING
 - 4 HAND TOOL : 9-1478240-0
 - 5 DIE SET : 9-1478248-0
 - 6 ELECTRICAL CHARACTERISTICS
 FREQUENCY RANGE: DC - 4 GHz
 NOMINAL IMPEDANCE: 50 Ohm
 INSULATION RESISTANCE: 1000 MOhm
 WORKING VOLTAGE: 250 Volts RMS at Sea Level
 DIELECTRIC WITHSTAND VOLTAGE: 750 Volts RMS Max
 CONTACT RESISTANCE:
 CENTRE CONTACT: 6.00 mOhm Max
 OUTER CONTACT: 1.00 mOhm Max
 VSWR @ 3GHz: 1.35:1
 INSERTION LOSS dB @ x 1.5 GHz: 0.30 Max
 - 7 MECHANICAL CHARACTERISTICS
 COUPLING NUT RETENTION FORCE: N/A
 CABLE RETENTION FORCE: 85N Min
 RG174A/U, 188A/U, 316/U, URM95: 500 Cycles Min
 DURABILITY:
 - 8 ENVIRONMENTAL CHARACTERISTICS
 OPERATING TEMPERATURE: -65 to +165 DegC



QTY	QTY PER ASSY	QTY PER ASSY	MATERIAL	DESCRIPTION	ITEM
1	1		PTFE	INSULATION	6
1	1		BRASS	BODY	5
1	1		PE	INSULATION	4
1	1		BRASS	CHASSIS	3
1	1		BRASS	CONTACT	2
1	1		BRASS	FERRULE	1
6--0	1--0				

THIS DRAWING IS A CONTROLLED DOCUMENT.

DWN	J.SANDWELL	10JAN06
CHK	S.PARLOW	10JAN06
APVD	F.WHEELER-KING	10JAN06
PRODUCT SPEC	-	
APPLICATION SPEC	411-3247	
WEIGHT	-	
MATERIAL	SEE TABLE	
FINISH	-	

tyco Electronics Tyco Electronics Corporation
Bideford EX39 4HE

NAME: SMB STRAIGHT JACK CRIMP 50 OHM
RG174A/U, 188A/U, 316/U, URM95, KX3B, KX22A

SIZE	CAGE CODE	DRAWING NO	RESTRICTED TO
A3	00779	C-1337477	-

CUSTOMER DRAWING SCALE NTS SHEET 1 OF 1 REV C