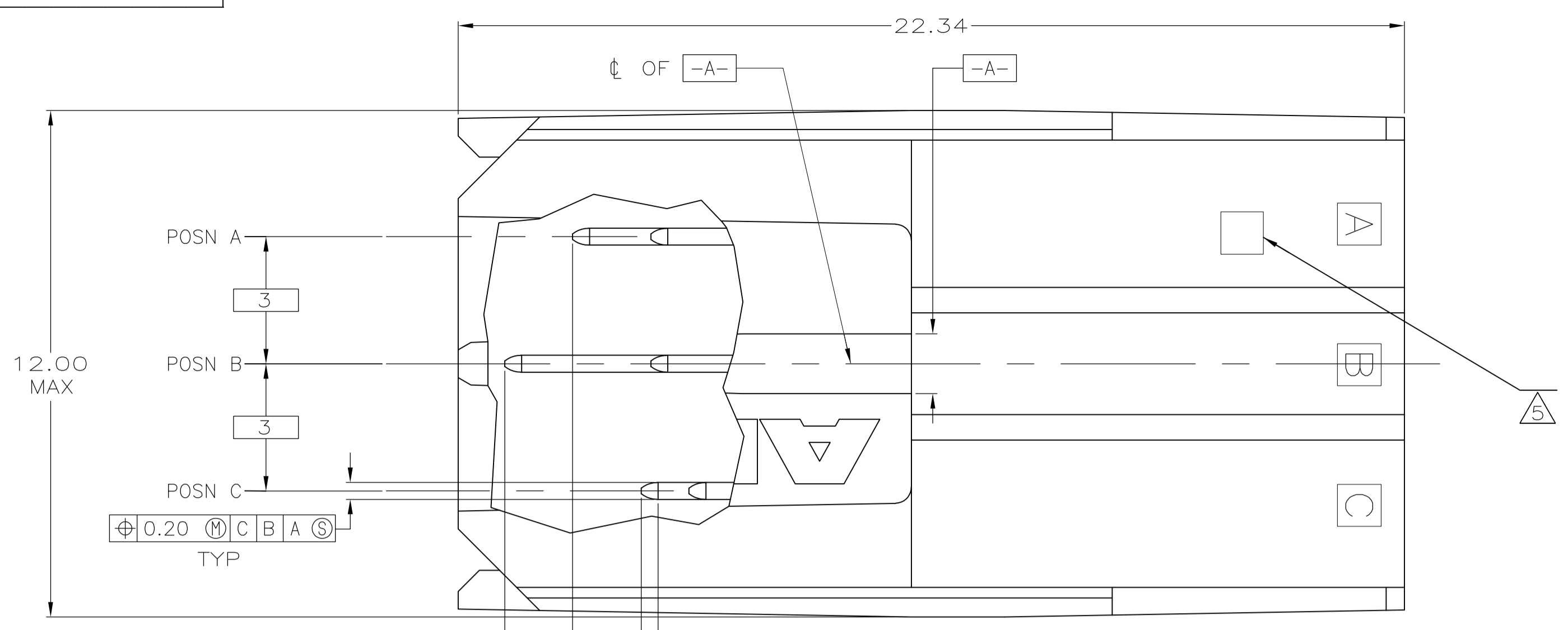
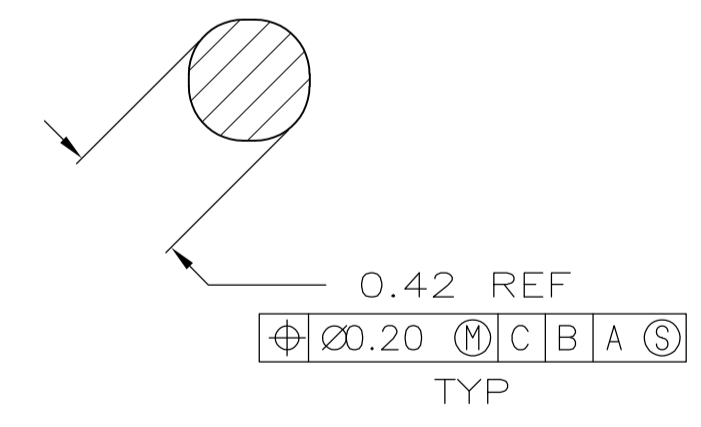
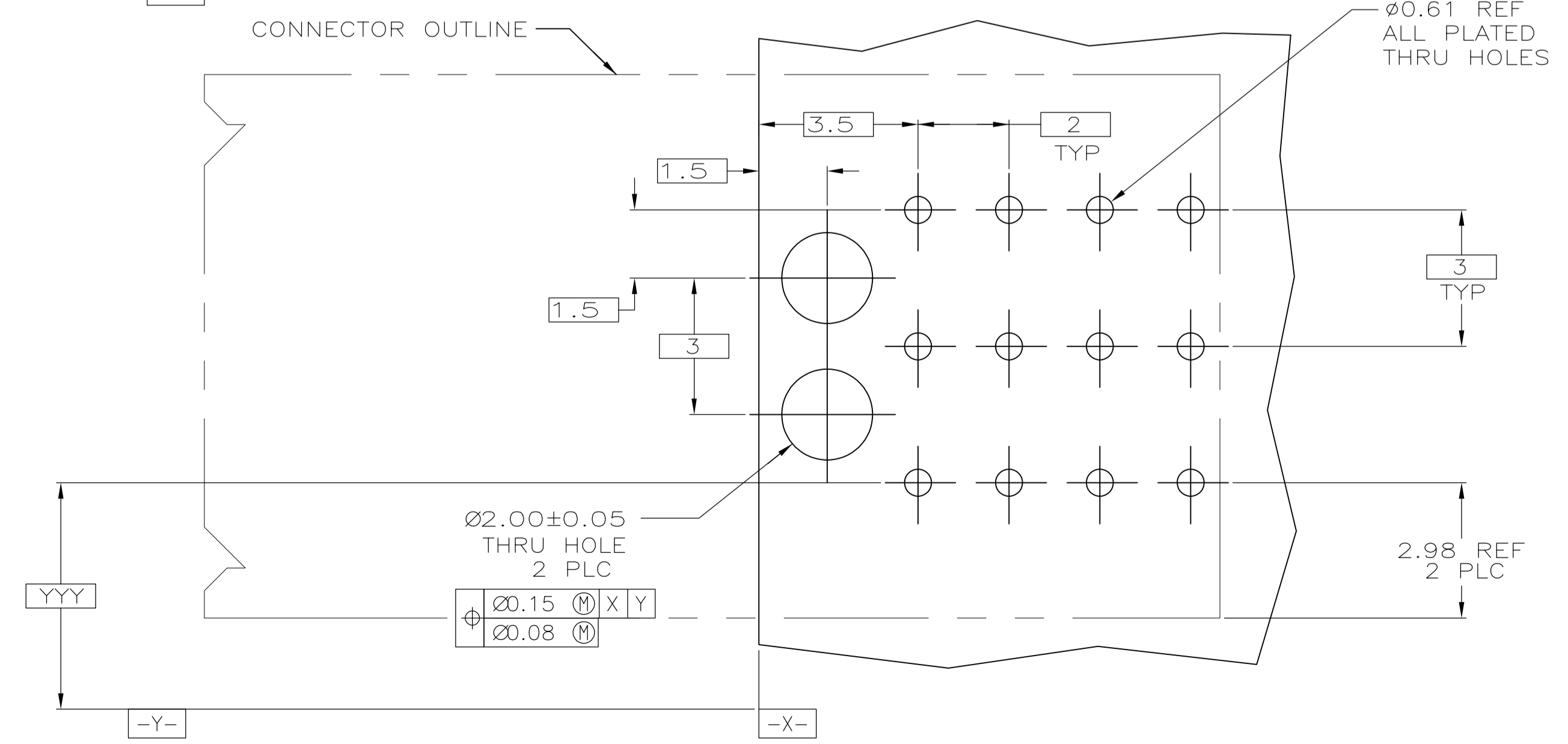
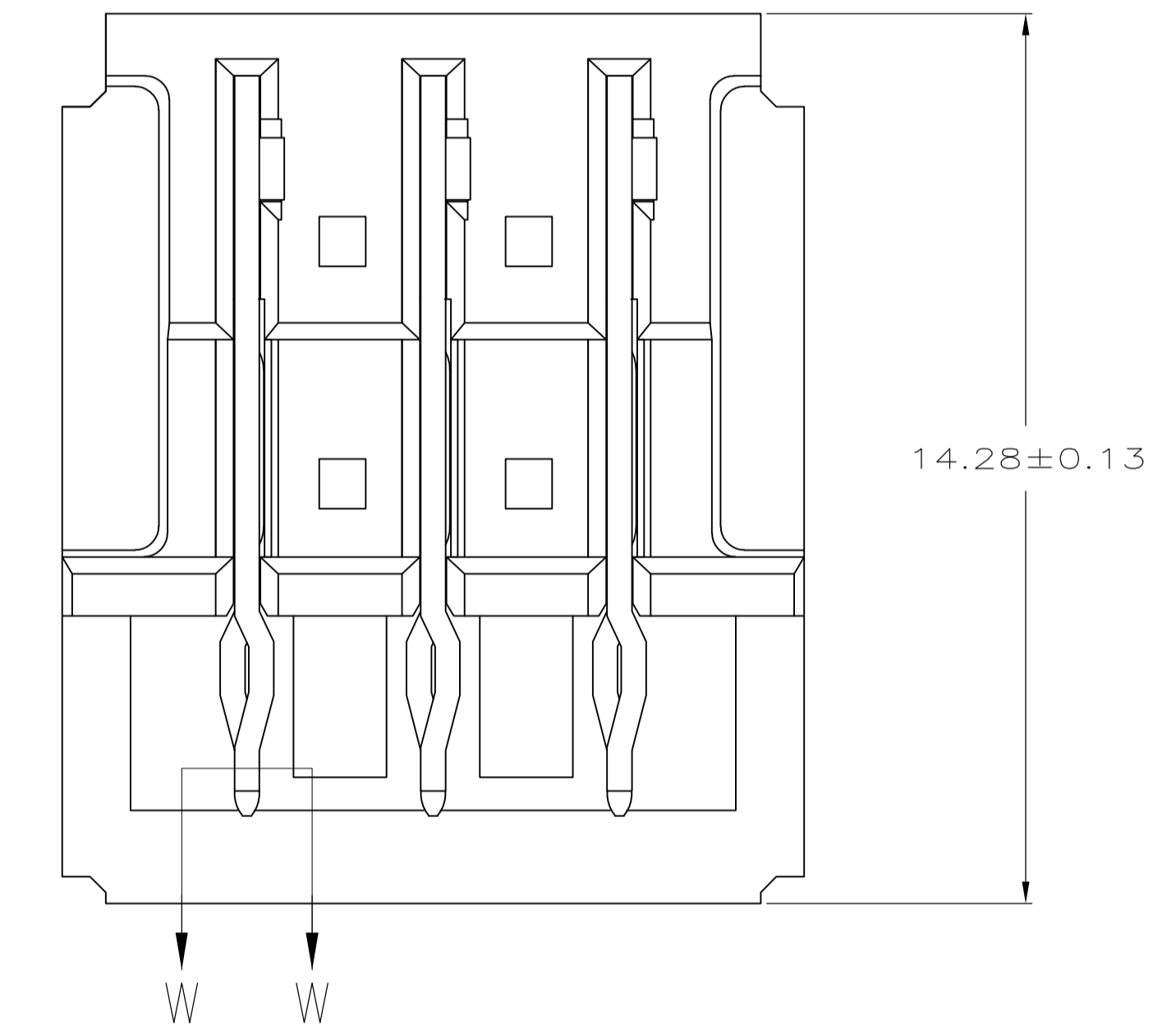
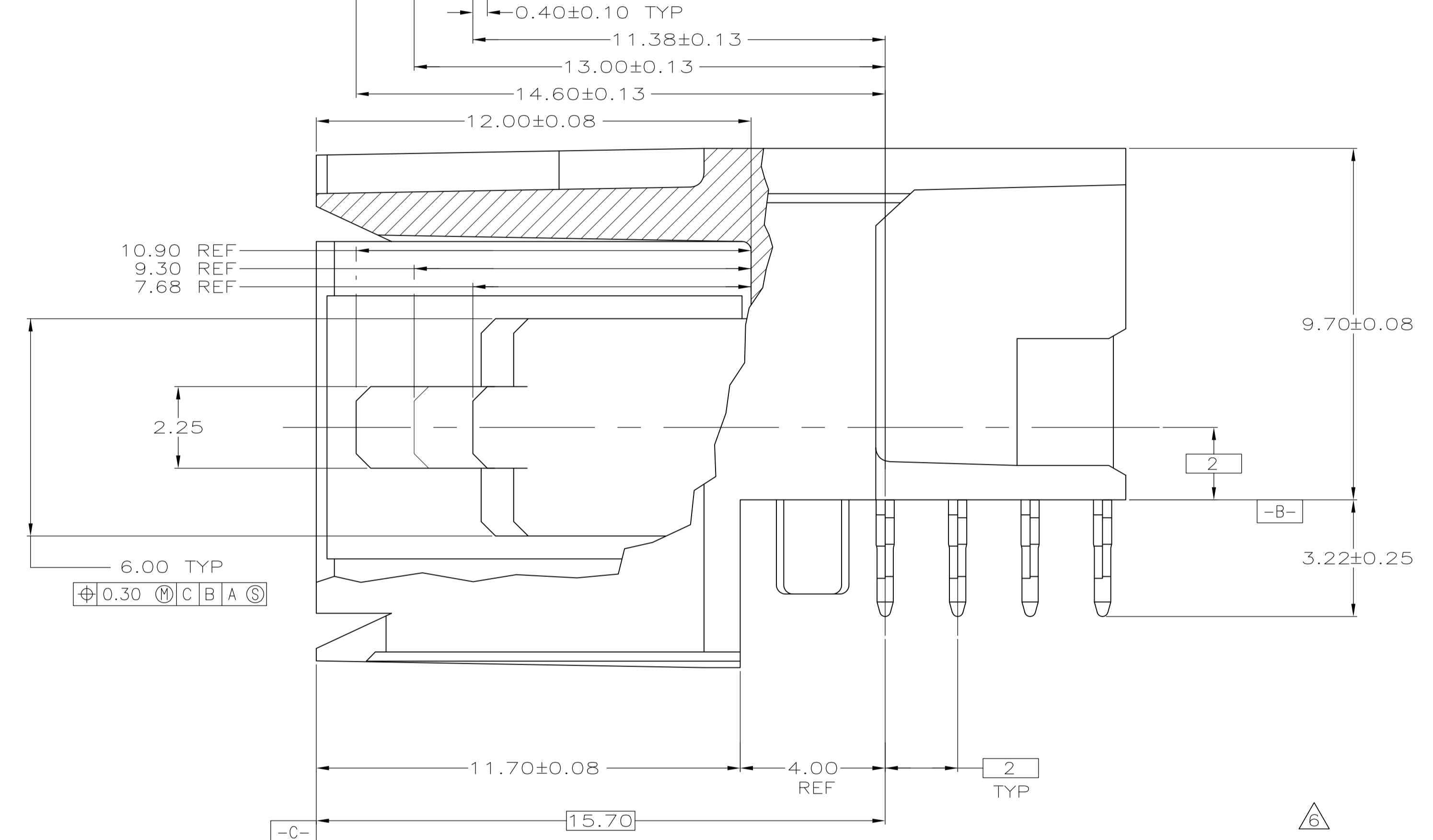
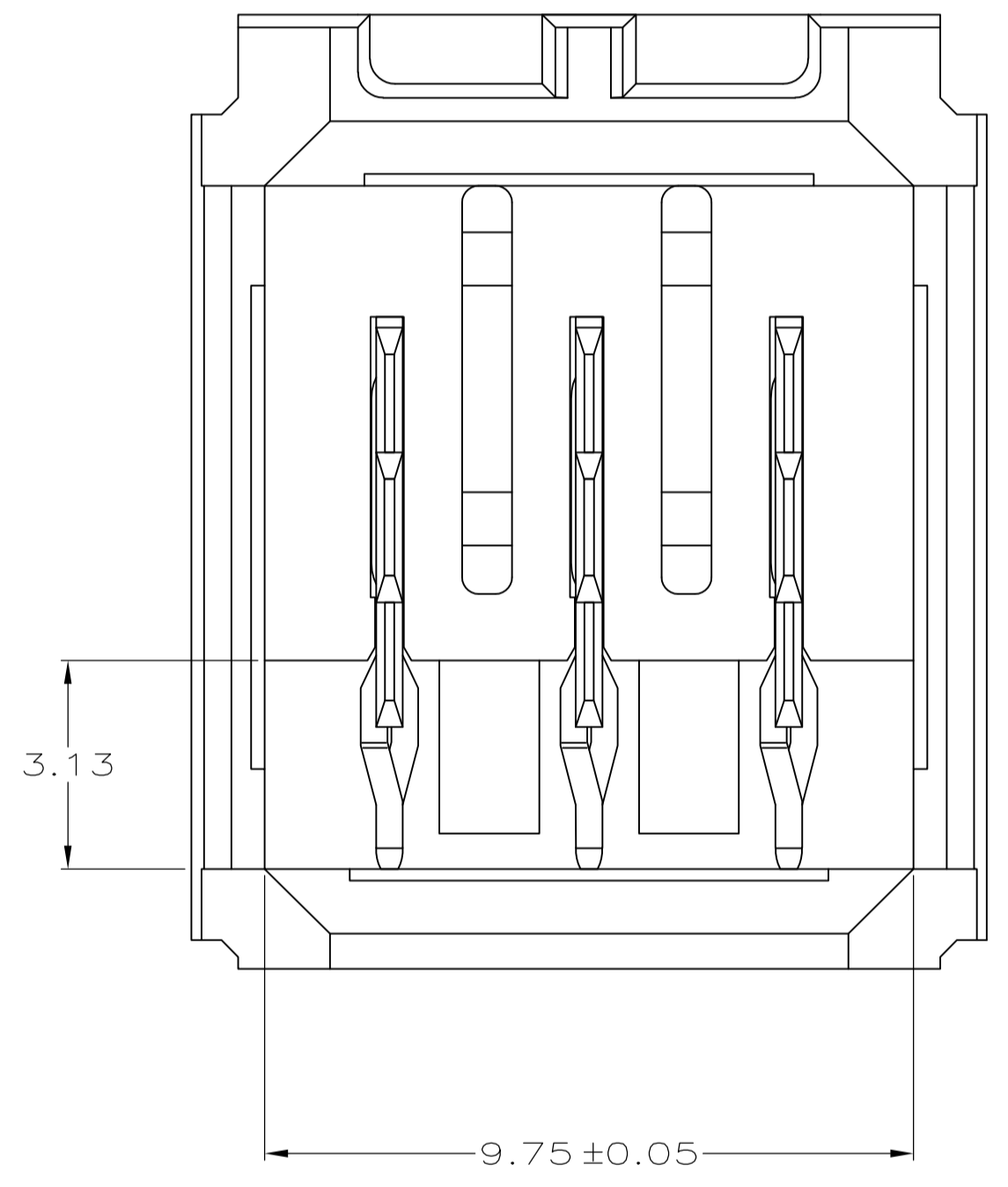


LOC		DIST		REVISIONS			
P	LTR	DATE	DMN	APVD			
B	REV PER ECO-09-017741	10AUG09	DH	DY			



- 1 MATERIAL: HOUSING: POLYESTER, COLOR: GRAY. UL 94V-0. CONTACT: PHOSPHOR BRONZE.
- 2 FINISH: CONTACT MATING AREA: 1.27µm MIN GOLD OR 0.08µm MIN GOLD OVER 0.76µm MIN PALLADIUM-NICKEL. ACTION PIN AREA: 0.5µm MIN TIN PLATE, ALL OVER 1.27µm MIN NICKEL UNDERPLATE.
- 3 FINISH: CONTACT LUBRICATION WITH BELLCORE APPROVED LUBRICANT. TECHNICAL REFERENCE: TR-NWT-001217 ISSUE 1, SEPT 1992.
- 4 MATERIAL: HOUSING: LCP; COLOR, RED. UL 94V-0. CONTACT: PHOSPHOR BRONZE.
- 5 NUMBER "1" MARKED IN THIS AREA.
- 6 REFERENCE APPLICATION SPEC 114-1103 FOR RECOMMENDED PLATED THRU HOLE DIAMETER AND PLATING THICKNESS.
- 7 CURRENT RATING 10A/CONTACT PER PRODUCT SPEC 108-1651.



SECTION W-W
SCALE 40:1

1 2 3 4 5	5223964-6
1 2 3	5223964-1
FINISH	PART NUMBER

THIS DRAWING IS A CONTROLLED DOCUMENT.		DIN B CARDO 10DEC04		Tyco Electronics Corporation	
DIMENSIONS: mm		CIR R PATTERSON 10DEC04		Harrisburg, PA 17105-3608	
TOLERANCES UNLESS OTHERWISE SPECIFIED:		APVD R PATTERSON 10DEC04		NAME	
0 PLC	± -	PRODUCT SPEC		ASSEMBLY, RIGHT ANGLE HEADER, W/ RETENTION PEGS, UNIVERSAL POWER MODULE	
1 PLC	± -	APPLICATION SPEC		SIZE CAGE CODE DRAWING NO	
2 PLC	± 0.13	WEIGHT		A1 00779 C=5223964	
3 PLC	± -	CUSTOMER DRAWING		SCALE 10:1 SHEET 1 of 1 REV B	
4 PLC	± -				
ANGLES	± -				

RECOMMENDED PCB HOLE LAYOUT