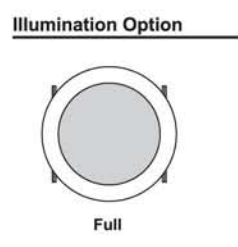
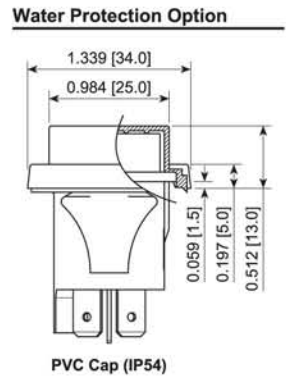
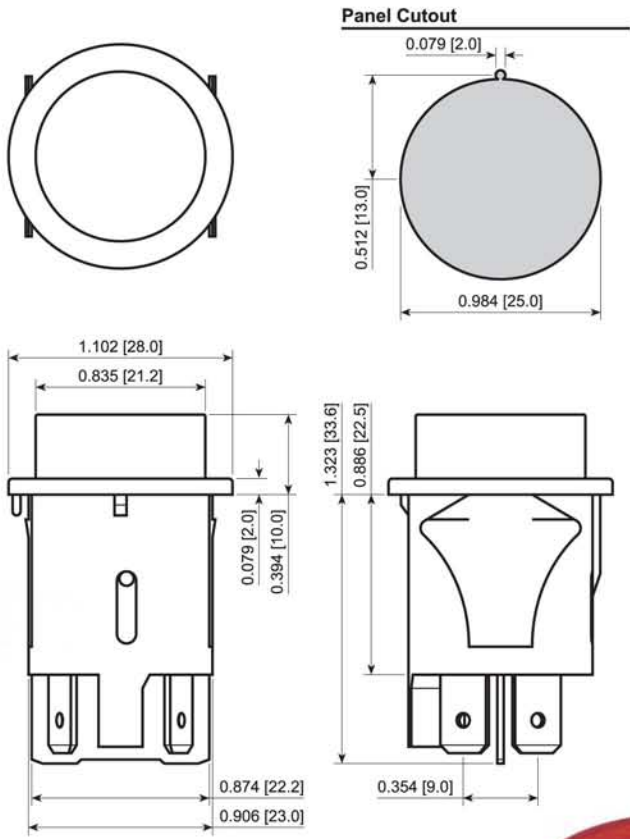


# PR1 Series



PUSHBUTTON



- FEATURES**
- High Rating with UL and VDE Approvals
  - Maintained and Momentary Option
  - PVC Cap for Water and Dust Protection

**SPECIFICATIONS:**

**RATING:** *RATING OPTION C:*  
 16A 125VAC [UR, cUR]  
 3/4HP 250VAC [UR, cUR]  
 16(6)A 250V~ 1E4 T125 [VDE]  
 10(4)A 250V~ 5E4 T125 [VDE]

**TEMPERATURE:** -20°C to 105°C [UR, cUR]  
 -20°C to 125°C [VDE]

**ELECTRICAL LIFE:** 10,000 Cycles  
**CONTACT RESISTANCE:** 35mΩ Max.  
**INSULATION RESISTANCE:** 100MΩ Min. at 500VDC  
**DIELECTRIC STRENGTH:** 1,500VAC for 1 Minute  
**INGRESS PROTECTION:** IP54 with PVC Cap

**MATERIALS:**

**Body:** Polyamide 6/6, UL94 V-2  
**Actuator:** Polyamide 6/6, UL94 V-2  
 Polycarbonate, UL94 V-2  
**CONTACTS:** Silver Alloy  
**TERMINALS:** Silver Plated Brass



Series	Terminal	Function	Rating	Body Color	Actuator Color	Marking Color	Marking Type	Lens Style	Lens Color	Lamp Voltage
PR1	4 - 6.3mm Tabs	1 Pole: 1 - Off-On 4 - Off-(On)  2 Pole: 2 - Off-On E - Off-(On)	C - 16A 125VAC	1 - Black 2 - White 3 - Almond 4 - Grey 9 - Red	0 - Full Illum. 1 - Black 2 - White 3 - Almond 4 - Grey 5 - Orange 7 - Blue 8 - Green 9 - Red	0 - None 1 - Black 2 - White 8 - Red	0 - None 1 - Power Symbol Vert. 3 - Reset Symbol Vert. 5 - POWER Vert. 7 - RESET Vert.	1 - Full	0 - Clear 1 - Red 2 - Amber 3 - Green 4 - Blue	3 - 6V 4 - 12V 5 - 24V 6 - 125V 7 - 250V

Accessories Series: ACC    Type: F03    Options: Colors for Frame: 1 - Black, 2 - White

Custom Colors and Markings Available Upon Request    For Illuminated Switches Only

**EXAMPLE PART NUMBERS:**

PR141C1100    1P Off-On  
Black Body/Actuator, No Marking

PR141C1900    1P Off-On  
Black Body, Red Actuator, No Marking

PR144C1900    1P Off-(On)  
Black Body, Red Actuator, No Marking



SPECIFICATIONS SUBJECT TO CHANGE WITHOUT NOTICE