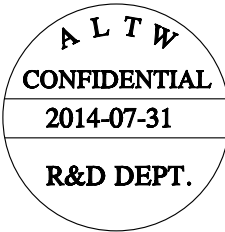
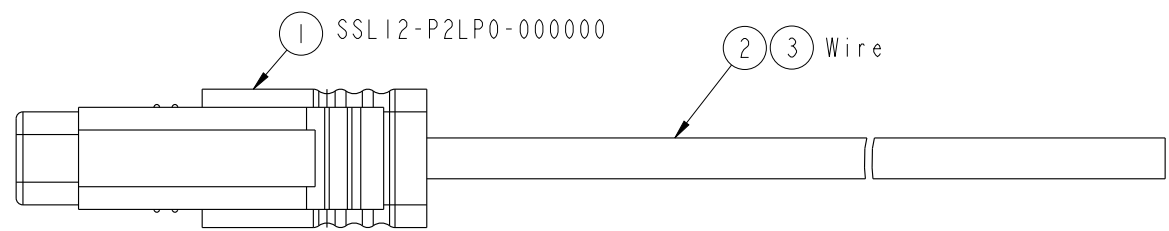
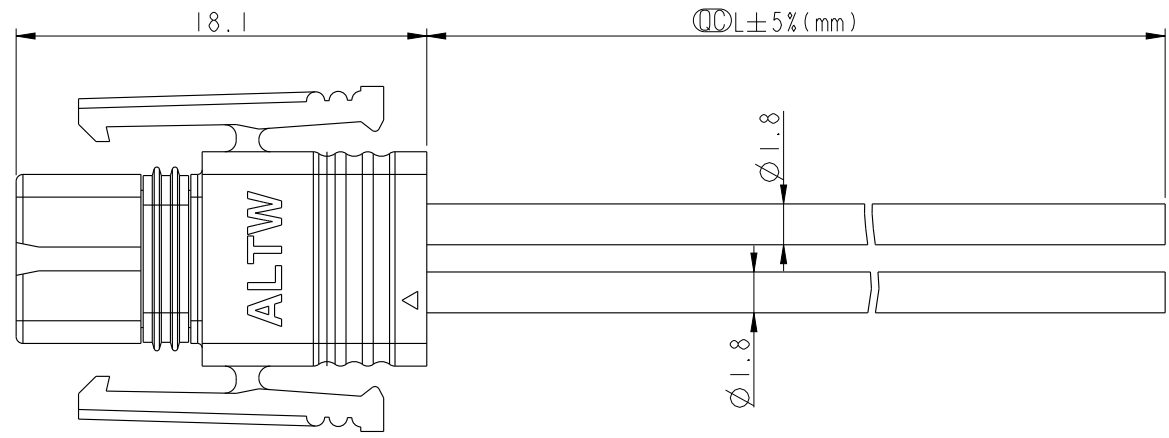
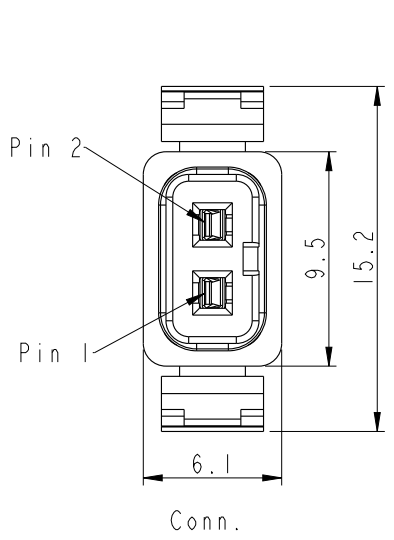


THIS DOCUMENT IS SUBJECT TO CHANGE WITHOUT NOTICE. IT IS CONFIDENTIAL AND A PROPERTY OF AMPHENOL LTW. DISCLOSURE TO THIRD PARTY HAS TO BE AUTHORIZED BY AMPHENOL LTW.

REV.	ECN NO.	DATE	SIGN	DESCRIPTION
A	Initial Release	2014/07/31	Cary	Change To Rev.A



SSLI2-P2LP0-M20AXX

- 01: L=100±20mm
- 02: L=200±20mm
- 04: L=400±25mm
- Standard Length is 400mm.
- Wire Length Range(L): 100~9900mm
- 20: 20AWG

- Notes:
- \*  $\text{CC}$  Important Dimension To Check.
  - \* Waterproof Rate: IP68(mating).  
1M Depth Of Water In 24 Hours.
  - \* Housing: Thermoplastic, UL94V-0, Natural White.
  - \* Terminal: Copper Alloy, Gold Plated on contact area.
  - \* Gasket: Silicone, Gray.
  - \* Seals: Silicone, Gray.
  - \* Wire: UL1430 20AWG.
  - \* Current Rating : 5A maximum.
  - \* Voltage Rating: 250V DC/AC maximum.
  - \* Operating Temperature: -40~+105°C.

2	Red	紅
1	Brown	棕
Conn.	Wire	
Pin-out		

UNIT:mm			TITLE
TOLERANCE	±0.50mm		SSLI.2 2P WIRE ASS'Y PLUG TO OPEN
SCALE	3:1	SIZE	A4
REV.	A	WC-REV.	A.3
SHEET 1 OF 1			
③: Inspection item			

**Amphenol LTW**  
安費諾亮泰企業股份有限公司

ITEM NO	DRAWN BY	DATE
	Cary	2014-07-31
DWG NO	CHECKED BY	DATE
SSLI2-P2LP0-M20AXX	Fisher	2014-07-31
CUSTOMER	APPROVED BY	DATE
ALTW	Jerry	2014-07-31