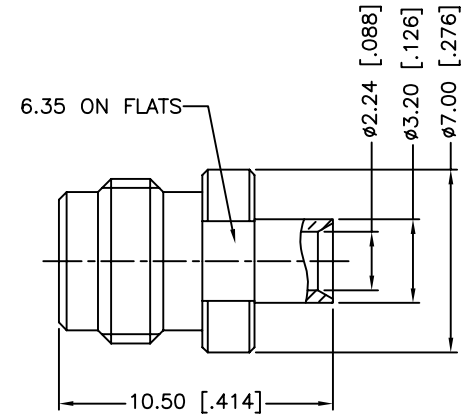
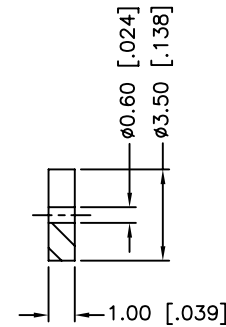
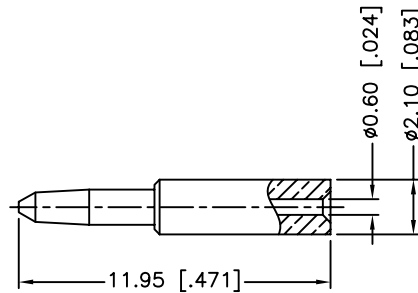
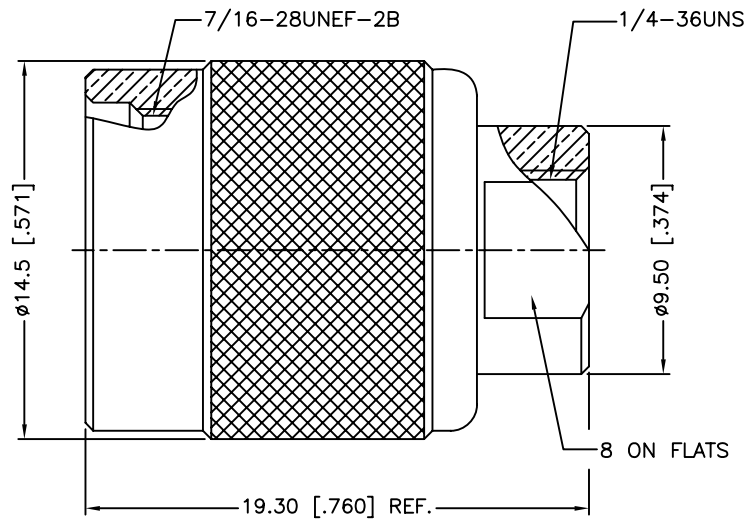


REV.	DATE	ECR NO.	DESCRIPTION
A	05/01/04	XXXXXX	UPDATE DRAWING FORMAT
B	07/10/06	XXXXXX	ADD CABLE CALLOUT TO PART DESCRIPTION
C	02/22/10	2023	BODY'S PLATING WAS CHANGED, INSULATOR'S MATERIAL WAS CHANGED



NOTE:  
1. CRIMPED CONTACT PIN  
HEX CRIMP SIZE .068"

9	SOLDER NUT	BRASS	GOLD	1
8	CONTACT PIN	BRASS	GOLD	1
7	WASHER	BRASS	NICKEL	1
6	RING	DELTRIN	NATURAL	1
5	RETAINER RING	BRASS	NICKEL	1
4	GASKET	RUBBER	RED	1
3	INSULATOR	PTFE	NATURAL	2
2	BODY	BRASS	NICKEL	1
1	SHELL	BRASS	NICKEL	1
	DESCRIPTION	MATERIAL	FINISH	QTY

UNLESS OTHERWISE SPECIFIED DIMENSIONS ARE IN MILLIMETERS. DIMENSIONS IN [ ] ARE IN INCHES AND FOR CUSTOMER REFERENCE ONLY.

UNLESS OTHERWISE SPECIFIED TOLERANCES FOR MILLIMETERS ARE:  
0.5 - 8mm ± 0.20mm  
8 - 30mm ± 0.40mm  
30 - 120mm ± 0.50mm

UNLESS OTHERWISE SPECIFIED TOLERANCES FOR INCHES ARE:  
.020 - .315 ± ± 0.007"  
.315 - 1.180 ± ± 0.015"  
1.180 - 4.724 ± ± 0.020"

DO NOT SCALE DRAWING

APPROVALS	DATE
DRAWN TANGOR	02/22/10
CHECKED	
ISSUED	
SHEET 1 OF 1	
CAD FILE C:/CONNEX/122387.DWG	

# Amphenol Connex

PART DESCRIPTION			
TNC DIRECT SOLDER PLUG (FOR .085" SEMI RIGID CABLE)			
PART NO. 122387			
DWG. NO. 122387.DWG	REV. C	SIZE A	SCALE NA