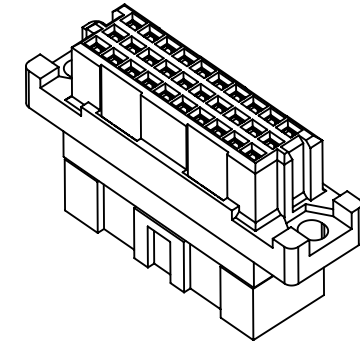
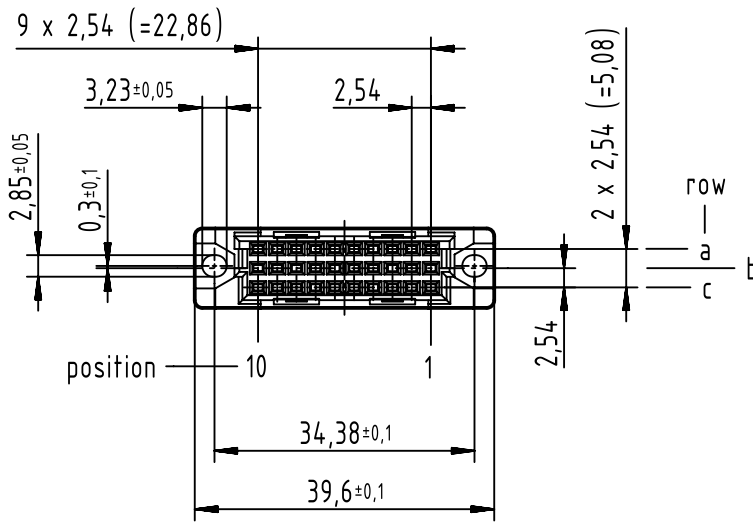
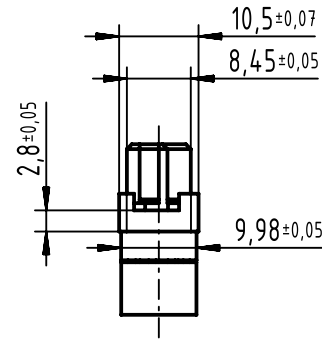
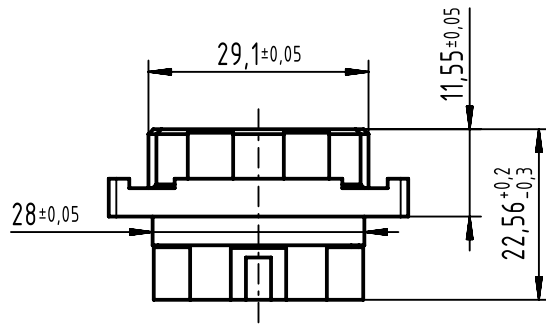


A


B

C

D



further information see: DS 09032100801

	All rights reserved Department EC PD - DE HARTING Electronics GmbH D-32339 Espelkamp	All Dimensions in mm Original Size DIN A4	Scale 1:1	Free size tol. complementary IEC 60603-2	Ref. Sub. TB 09250303214 500000070096 07.01.2014
		Created by HASSE	Inspected by JASCHKE	Standardisation HOFFMANN	Date 2015-05-04
Title DIN Signal type 3C female crimp					Doc-Key / ECM-Nr. 100223196/UGD/005/C 500000088892
Type TB		Number 09250303214			Rev. C
					Page 1/1