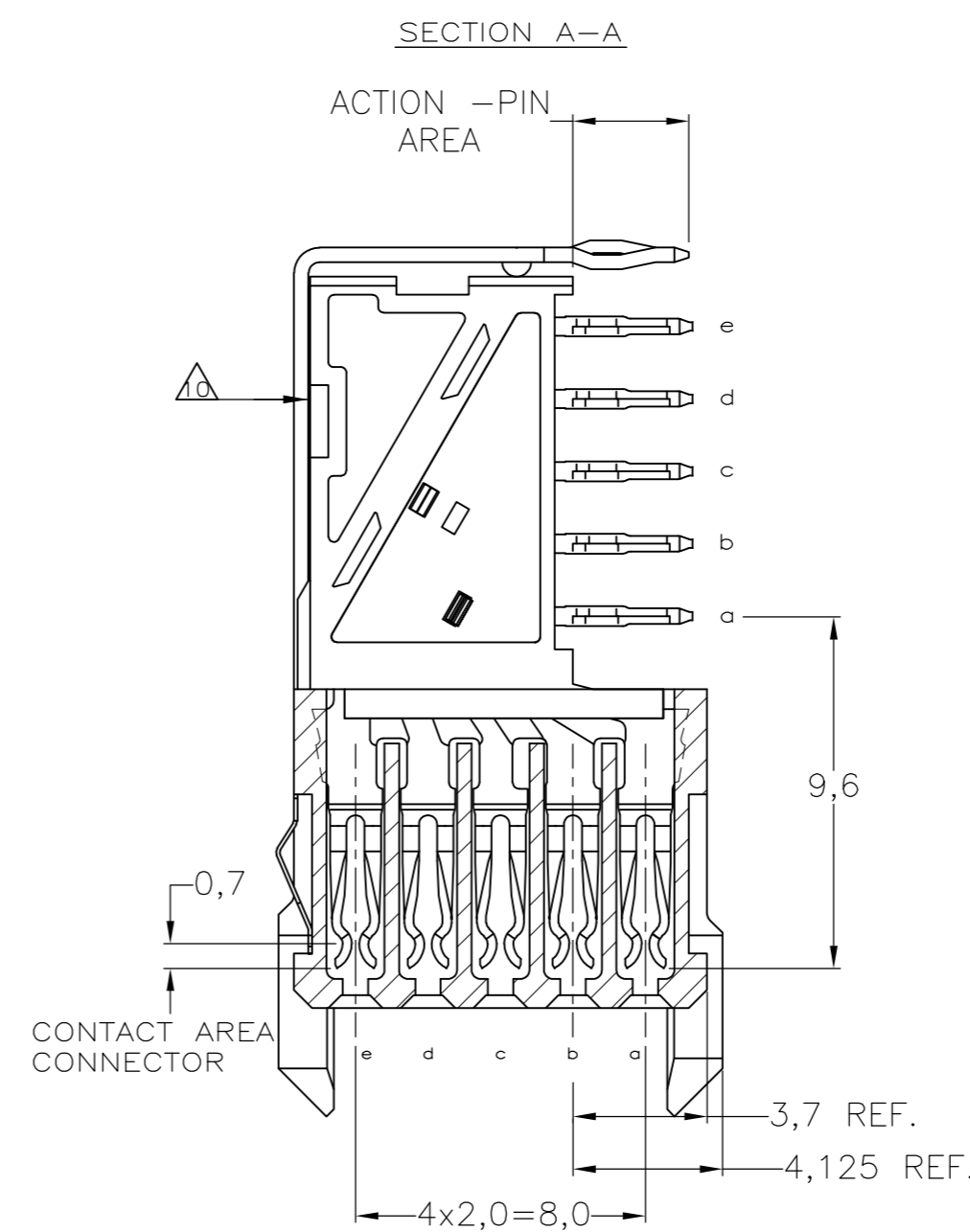
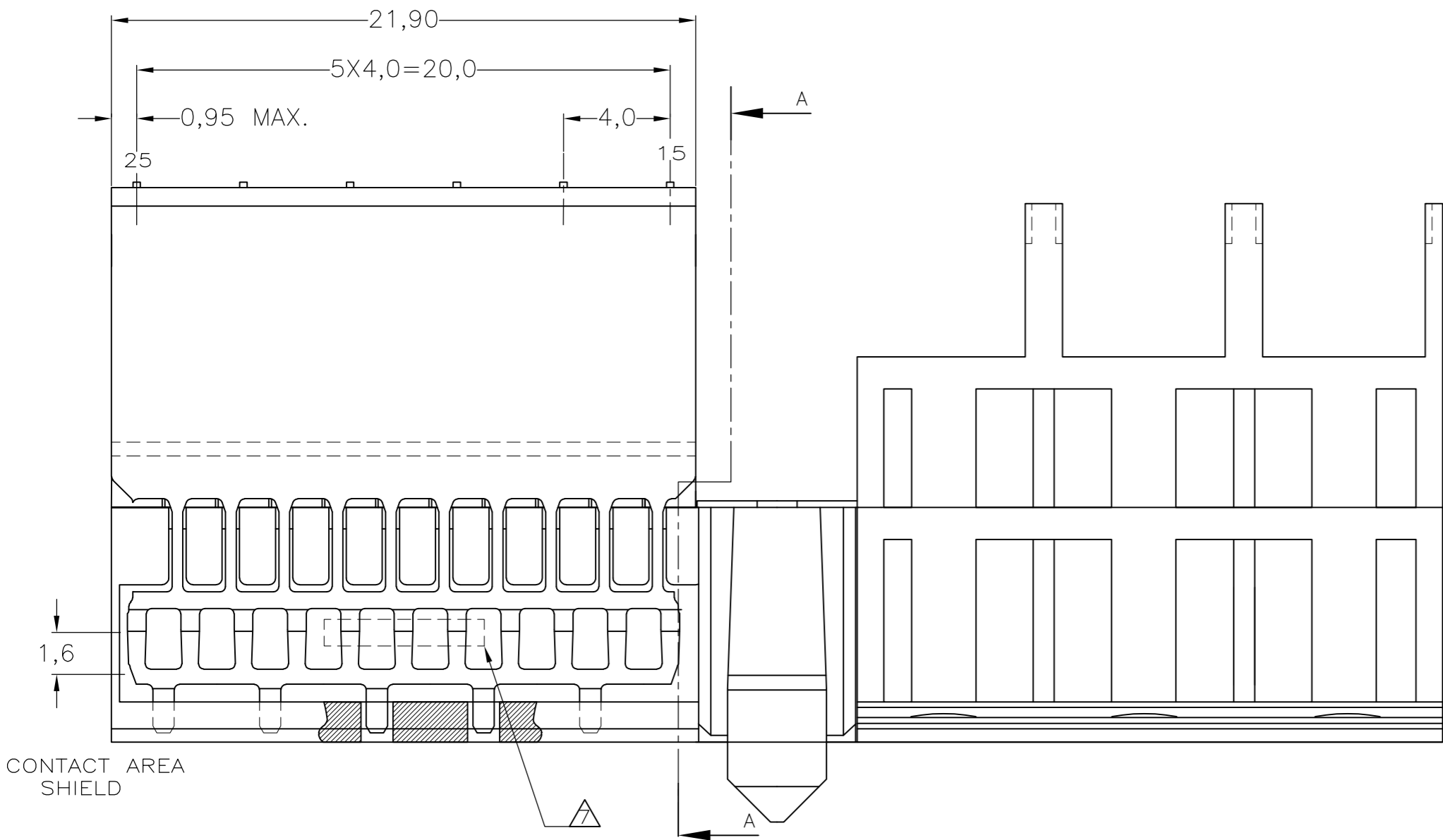
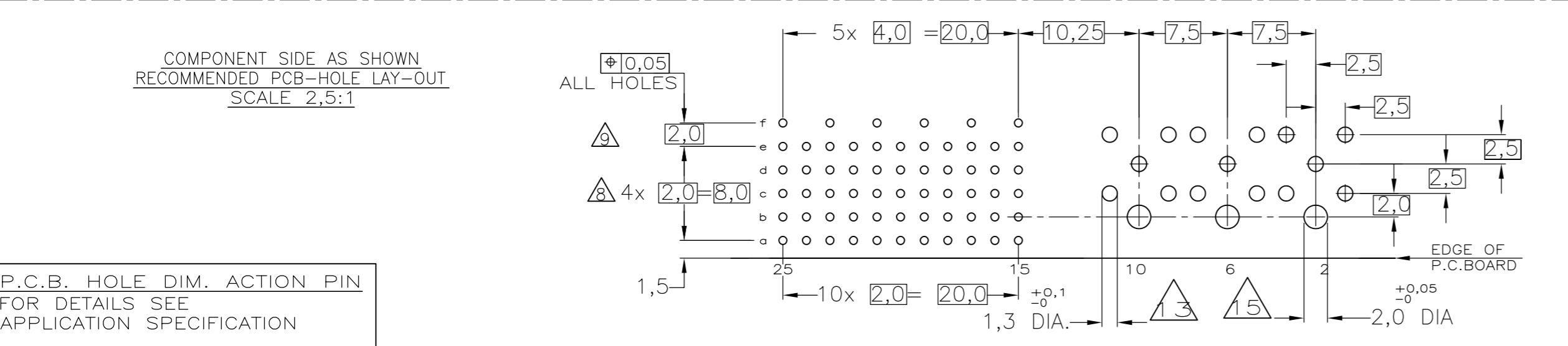
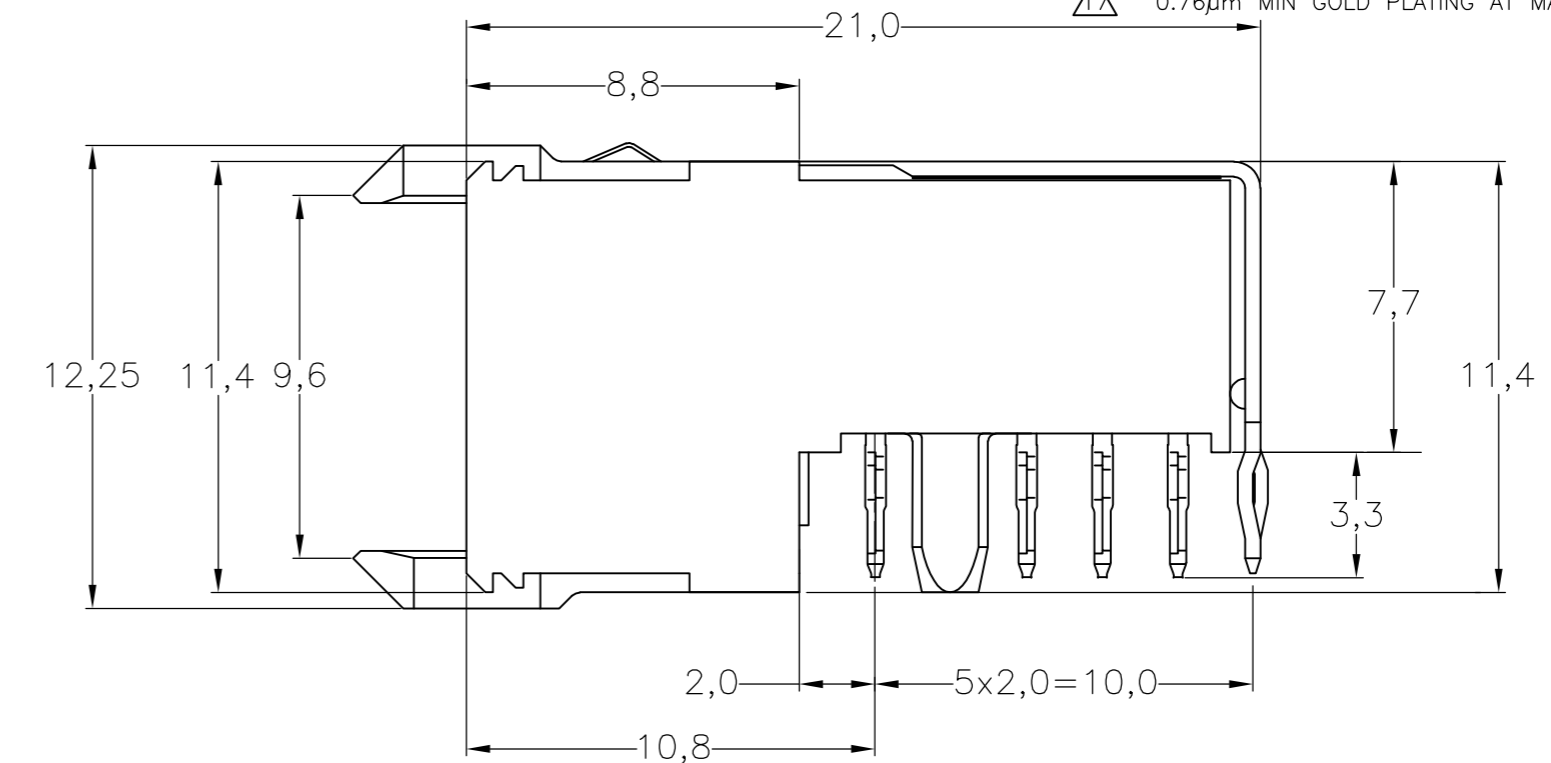
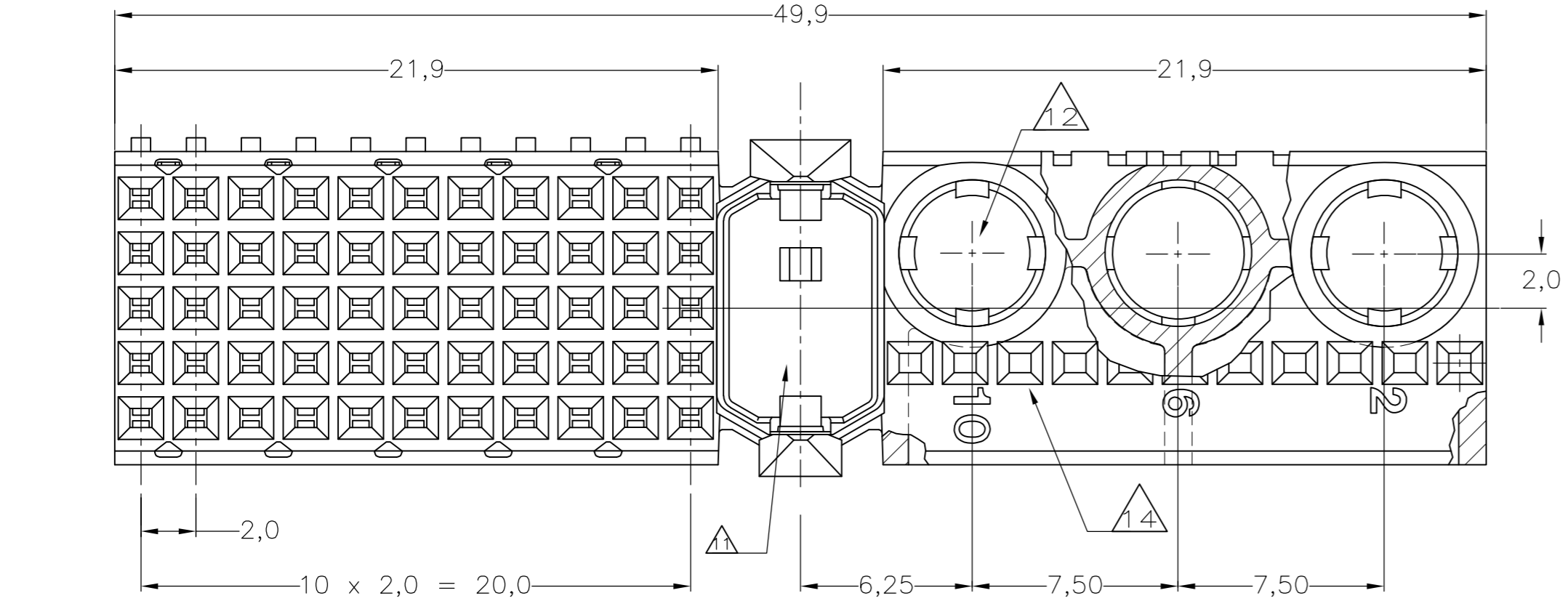


THIS DRAWING IS UNPUBLISHED. RELEASED FOR PUBLICATION
 © COPYRIGHT BY TYCO ELECTRONICS CORPORATION. ALL RIGHTS RESERVED.

LOC		DIST		REVISIONS				
P	LTR	DESCRIPTION	DATE	DWN	APVD			
G4		REV PER ECR-10-000455	07JAN2010	JY	SY			
H		ECR-10-018652	10SEP10	SW	MQW			
J		ECR-12-010544	6NOV12	SY	AC			



- NOTES:**
- 1 MATERIAL CONTACTS; PHOSPHORBRONZE
MATERIAL SHIELDING; PHOSPHORBRONZE
MATERIAL HOUSING; GLASSFILLED POLYESTER (GRAY)
UL-RATING 94V0.
 - 2 GENERAL PLATING SPECIFICATION: UNDERPLATING (ENTIRE CONTACT):
1,27µm NICKEL MIN. AND ACTION PIN: 0,5µm TIN-LEAD MIN.
FOR PLATING OF MATING SURFACES SEE APPLICABLE SPECIFICATION
REFERENCE FOR EACH DASH NUMBER.
 - 3 CONFORMS TO ALL TESTING ACCORDING IEC 61076-4-101
PERFORMANCE LEVEL 2.
 - 4 CONNECTOR TESTED AND QUALIFIED AGAINST TELCORDIA GR-1217-CORE
QUALITY LEVEL III, CENTRAL OFFICE APPLICATIONS.
 - 5 CONNECTOR LUBRICATED WITH TELCORDIA GR-1217-CORE
APPROVED LUBRICANT.
 - 6 PLATING SHIELD:
CONTACT AREA : 0,76µm Au MIN.
ACTION PIN : 0,5µm SnPb MIN.
REMAINDER : Ni
 - 7 ASSEMBLY PRINTED WITH P/N AND DATECODE
THE MARKING CAN APPEAR ON THE FRONT SIDE OR BACK SIDE.
 - 8 HOLE PATTERN FOR FEMALE CONNECTOR TYPE M
55 PLATED-THROUGH HOLES AT 2x2mm SQUARE GRID
ROW "r" 6 PLATED THROUGH HOLES FOR UPSHIELD
 - 9 SHIELD MOUNTED ON CONNECTOR WITH DOUBLE SIDED
ADHESIVE TAPE OR ADHESIVE
 - 10 AREA RESERVED FOR KEYING PART (BASIC P.N. 100526)
 - 11 CONTACT CAVITIES (3x) SUITABLE FOR 4,8 DIA. HIGH CURRENT,
HIGH FREQUENCY OR FIBRE OPTIC CONTACTS AS PER DIN 41626
(SEE ALSO NOTE 6).
 - 12 1,3 DIA. PLATED-THROUGH HOLES (15x) CAN BE OMITTED
IF SPECIAL CONTACTS WITH CABLE CONNECTION OR FIBRE
OPTIC CONTACTS ARE USED.
 - 13 THIS ROW OF 11 CAVITIES (B1 TO B11) FOR
CONNECTOR ASSEMBLY PURPOSE ONLY.
 - 14 NOT PLATED-THROUGH HOLES (3x).
 - 15 FITS WITH LOWERSHIELD BASIC P/N 352112
 - 16 0,76µm MIN GOLD PLATING AT MATING SURFACES.



P.C.B. HOLE DIM. ACTION PIN
FOR DETAILS SEE
APPLICATION SPECIFICATION

THIS DRAWING IS A CONTROLLED DOCUMENT.		DWN D. TRUREN	20JAN97	3-352177-0	
DIMENSIONS: MM		CHK -	APVD -	352177-9-	
TOLERANCES UNLESS OTHERWISE SPECIFIED: ±0.2		PRODUCT SPEC 108-19082		352177-1-	
MATERIAL		APPLICATION SPEC 114-19029		CONTACT FINISH	
MATERIAL FINISH		WEIGHT		MATERIAL	
CUSTOMER DRAWING		SCALE NTS		PARTNUMBER	
Tyco Electronics Corporation s-HertogenBosch, Netherlands,		Z-PACK 2MM HM TYPE M (55 POS.) PRE-SHIELDED RECEPTACLE		SIZE CAGE CODE DRAWING NO RESTRICTED TO	
A2 00779		C=352177		SHEET 1 OF 1 REV J	